



Controls for a world in motion

ROTARY PUSH-PULL LEVER CONTROL SYSTEMS



WESCON CONTROLS

WESCON'S ROTARY LEVER CONTROLS



Friction Control

Adjustable friction control which allows customers to set lever forces. Customize the lever effort based on the application



Detented Control

Handle has built-in detent feature with positive stop in any position. In addition, lever force is also adjustable.



Panel Mount

Rotary control can be mounted to flat panel or side plate. Mounting with 4 #10 fasteners.



Handlebar Mount

Easily mounts to either a 7/8" or 1.00" dia. tube with 2 #10 fasteners. Engineered to reduce additional custom parts when mounting to handlebar.



Output Ends

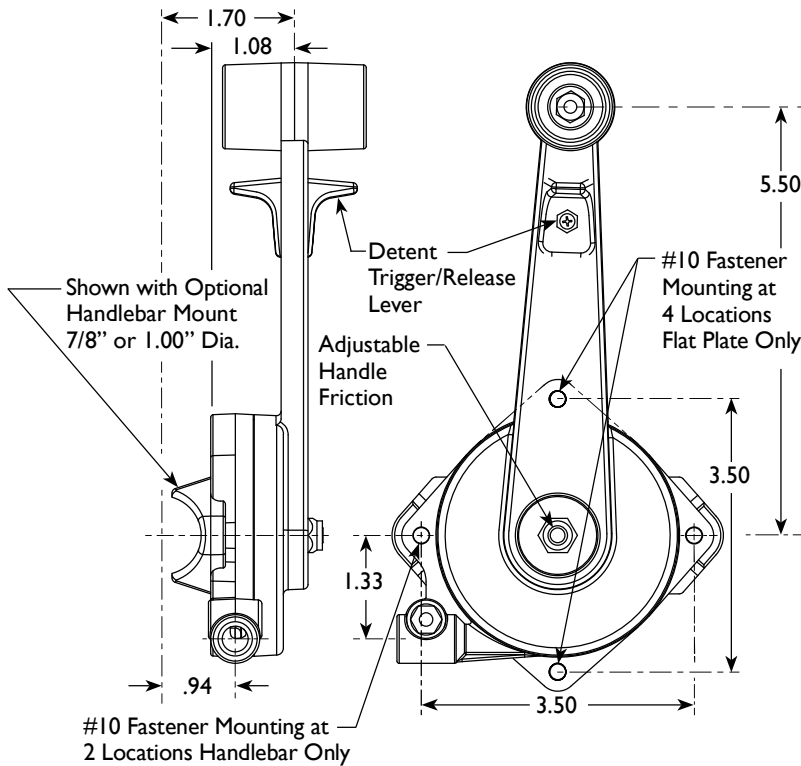
Wescon offers a number of different options for the output ends of your rotary control. Swivel ends, bulkhead or straight are all available to meet your specific needs.



Accessories

Wescon offers hardware to join your control to many different applications, including a wide variety of end terminations.

DETENTED CONTROL



APPLICATIONS

Light to medium duty push-pull throttles, valve controls, speed controls or hydrostatic transmission controls

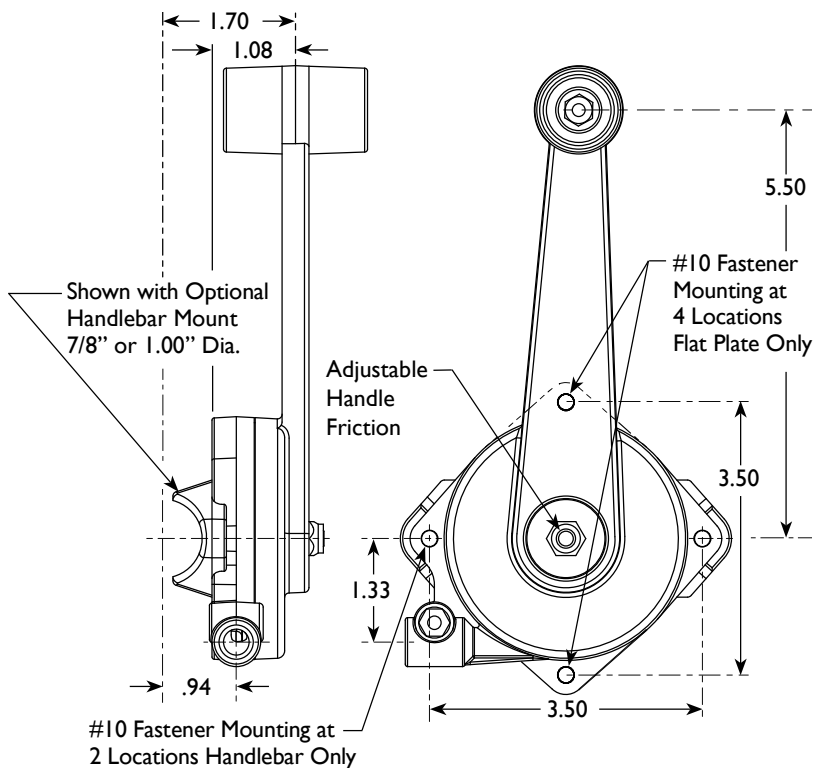
FEATURES

- Travel ranges of 1.00" to 3.00"
- Detented
- Positive stops in 1/4" increments
- Adjustable lever friction
- Adjustable lever position every 22 1/2°

BENEFITS

- Durable aluminum diecast lever
- High efficiency and wear resistant composite inner spool
- Mounting options
 - Handlebar mount for 7/8" or 1.00" dia.
 - Side mount
 - 1/2" min. wide panel slot
- Use of 30 Series high flex conduit/core
- Accommodates 20 lb. operating load
- Control and cable assembly shipped complete from factory

FRICION CONTROL



APPLICATIONS

Light to medium duty push-pull throttles, valve controls, speed controls or hydrostatic transmission controls

FEATURES

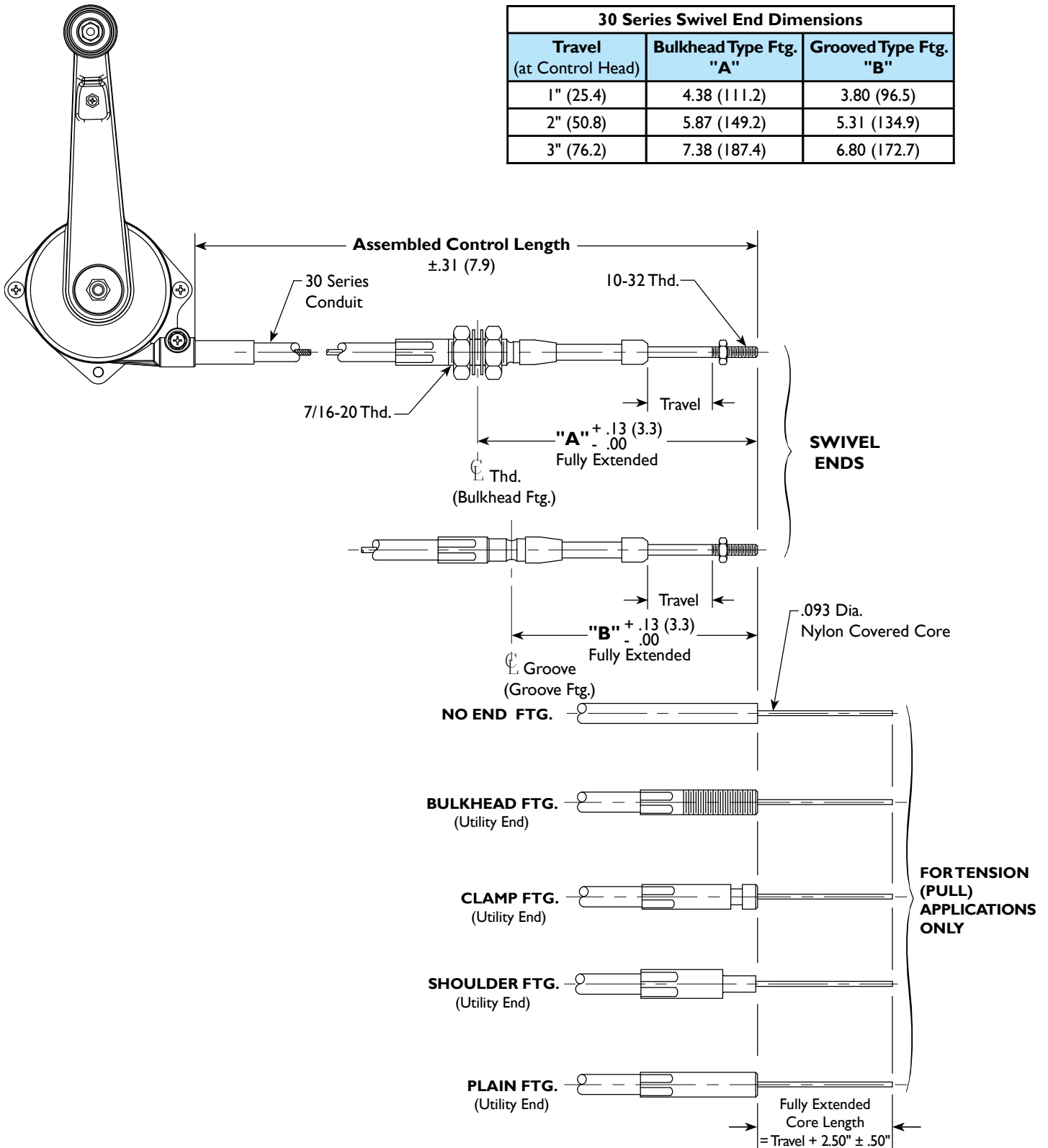
- Travel ranges of 1.00" to 3.00"
- Nondetented
- Adjustable lever friction
- Adjustable lever position every 22 1/2°

BENEFITS

- Durable aluminum diecast lever
- High efficiency and wear resistant composite inner spool
- Mounting options
 - Handlebar mount for 7/8" or 1.00" dia.
 - Side mount
 - 1/2" min. wide panel slot
- Use of 30 Series conduit/core
- Accommodates 20 lb. operating load
- Control and cable assembly shipped complete from factory

STANDARD CONSTRUCTION INCLUDES:

- 30 Series Push\Pull Construction
- .093 Dia. 1 x 19 Nylon Covered Core
- .39 Dia. Conduit
- 1.00", 1.50", 2.00", 2.50" & 3.00" Travel Options
- 1.00", 2.00" or 3.00" Travel @ Swivel End



Fill in your requirements and fax to **Wescon** at **316-942-5114**
or visit our web-site **www.wesconproducts.com**

Company Name: _____ Contact Person: _____

Phone : _____ Fax: _____ E-Mail: _____

- Control Type**
- Type I TR DR BL
- Type II TL DL BR

- Control Tension** Detented (Specify Detent *) Friction

- Travel (Inches)** 1.00 1.50 2.00 2.50 3.00

Mounting Options

- Flat (4 Bolt)
- 7/8" Dia. Handlebar
- 1" Dia. Handlebar

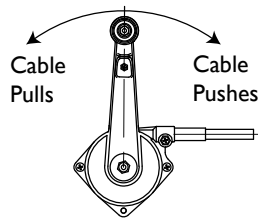
Output End (See Travel Requirements Page 4)

- Bulkhead - Swivel, SS Rod with Plated Brass Tube
- Grooved - Swivel, SS Rod with Plated Brass Tube
- No End Fitting
- Utility - Bulkhead w/Nuts
- Utility - Clamp
- Utility - Shoulder
- Utility - Plain

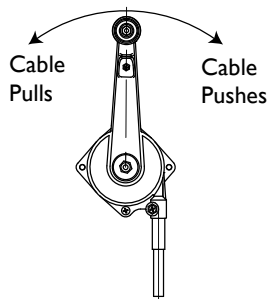
Control Length

_____ ±.31 Inches (Page 4)

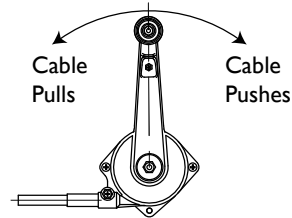
TYPE I



Top RH Exit
Style TR

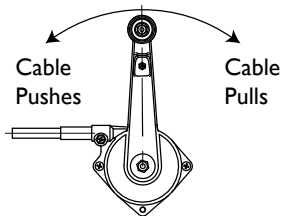


Down RH Exit
Style DR

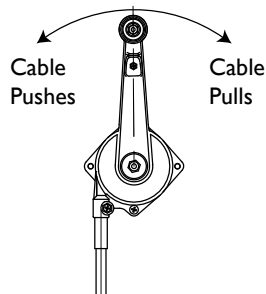


Bottom LH Exit
Style BL

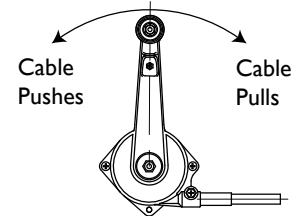
TYPE II



Top LH Exit
Style TL



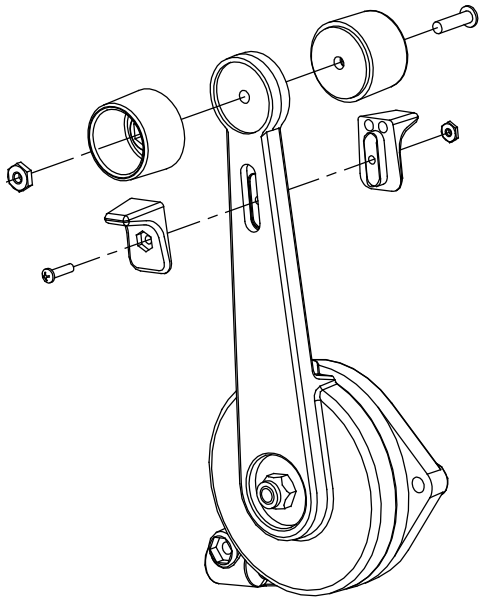
Down LH Exit
Style DL



Bottom RH Exit
Style BR

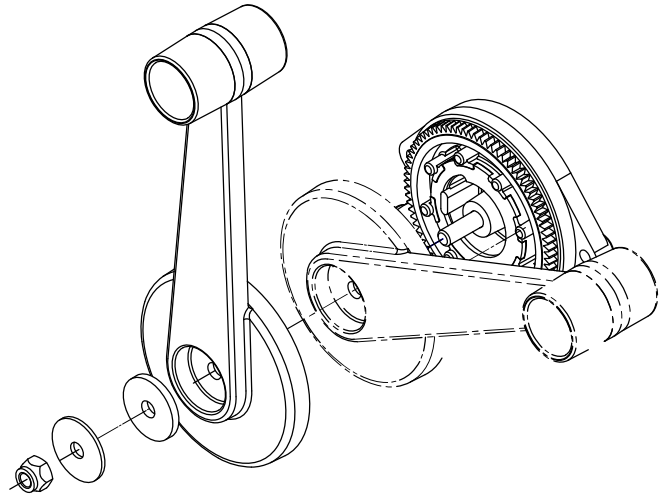
* Contact Wescon Representative

KNOB/DETENT TRIGGER ASSEMBLY

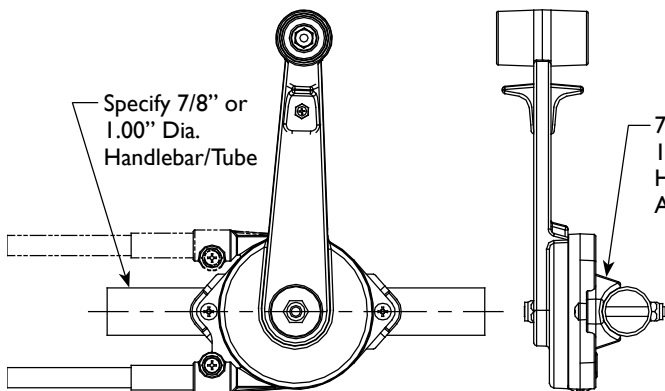


1. Remove knob and trigger by removing fasteners.
2. Install control thru min. 1/2" wide slot in panel.
3. Reinstall fasteners.

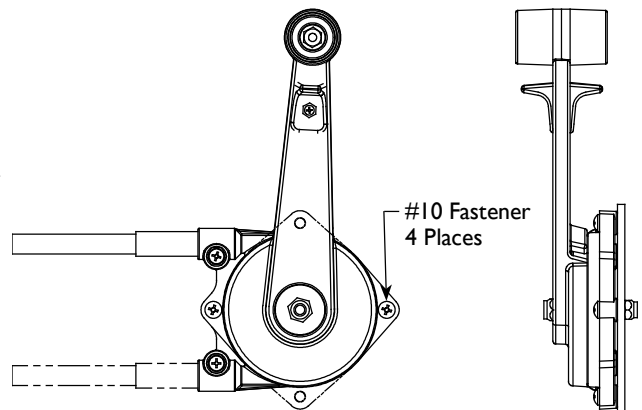
LEVER POSITION ASSEMBLY



- Adjust handle position as follows:
 1. Remove center lock nut and washers.
 2. Remove lever.
 3. Reposition lever to desired position.
 4. Reinstall hardware and tighten to set desired friction.

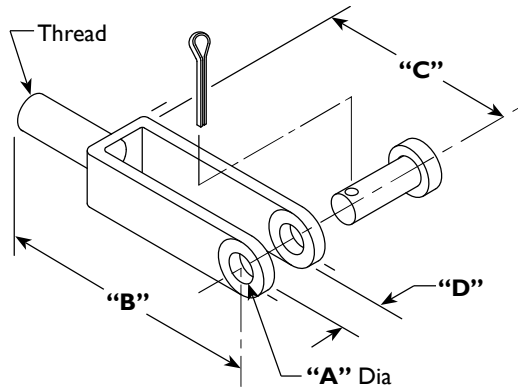


HANDLEBAR MOUNTING



FLAT SURFACE MOUNTING

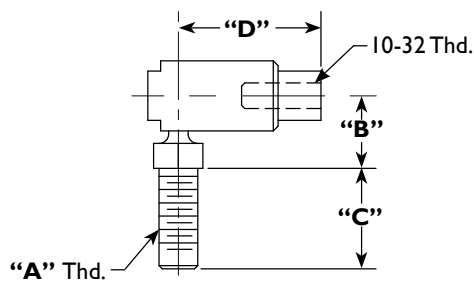
Clevis Assembly



30 Series (10-32 Thread)				
Part Number	"A" Dia	"B"	"C"	"D"
06-1500-04	.187 (4.8)	1.56 (39.7)	1.00 (25.4)	.187 (4.8)
06-1500-05	.25 (6.3)	2.00 (50.8)	1.25 (31.7)	.281 (7.1)

All Dimensions are in inches (mm)

Ball Joint



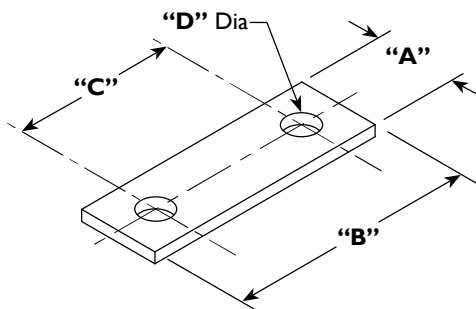
-01 & -02

30 Series				
Part Number	"A" Thd	"B"	"C"	"D"
08-0005-01	1/4-28	.47 (11.9)	.56 (14.2)	.91 (23.1)
08-0005-02	10-32	.47 (11.9)	.44 (11.2)	.91 (23.1)

All Dimensions are in inches (mm)

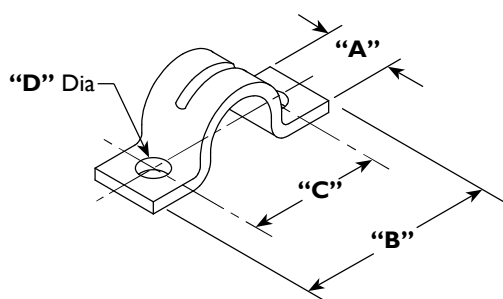
* Stainless Steel

Shim



30 Series				
Part Number	"A"	"B"	"C"	"D" Dia
08-0010-01	.50 (12.7)	1.50 (38.1)	1.00 (25.4)	.203 (5.1)

Clamps



30 Series				
Part Number	"A"	"B"	"C"	"D" Dia
08-0009-01	.50 (12.7)	1.50 (38.1)	1.00 (25.4)	.203 (5.1)

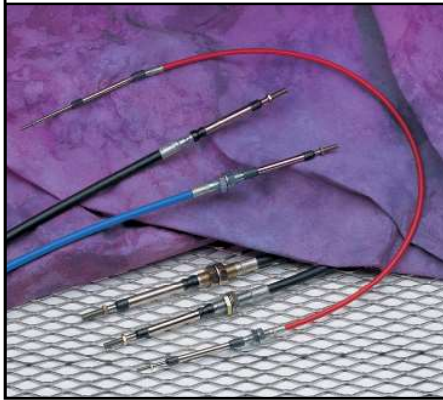
TAKE A LOOK AT OTHER WESCON PRODUCTS



LIGHT DUTY MECHANICAL CONTROL SYSTEMS



PUSH-PULL CABLES CONTROL SYSTEMS



PANEL CONTROL SYSTEMS



BRAKE CABLE AND LEVER SYSTEMS



REMOTE VALVE CONTROL SYSTEMS



SHIFT & UNIVERSAL DUMP CONTROL



Controls for a world in motion

WESCON CONTROLS, LLC

2533 S. West Wichita, Kansas 67217
316-942-7266 or call toll free 1-800-835-0160
Fax 316-942-5114
www.wesconcontrols.com
ISO 9001 CERTIFIED