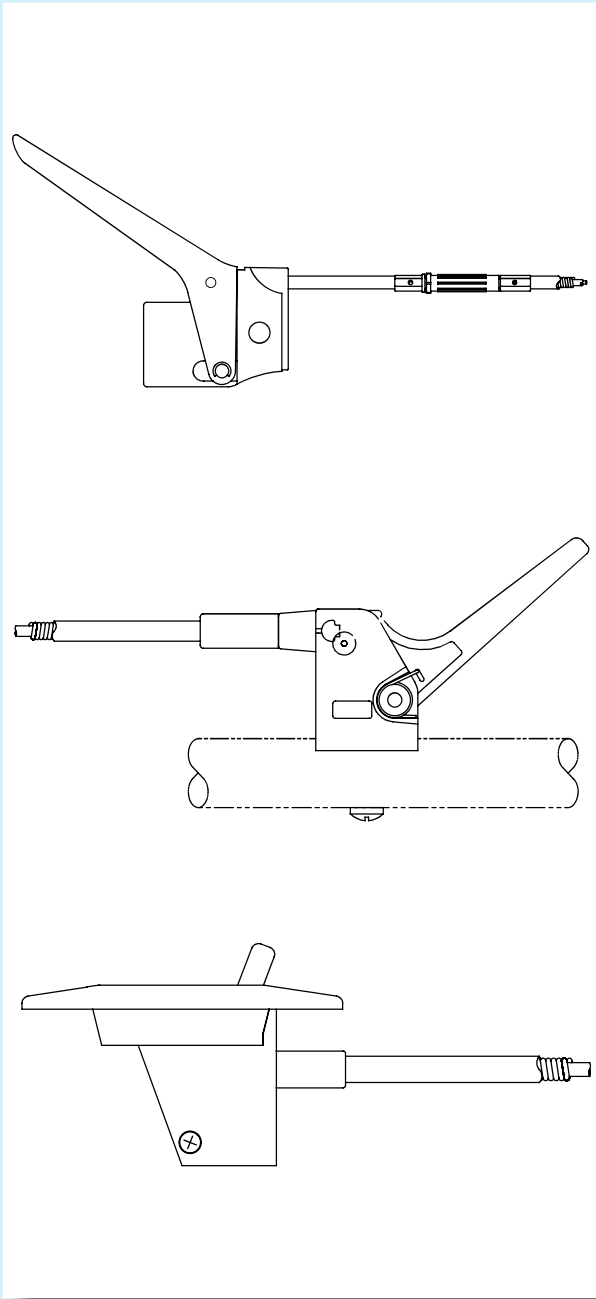




Controls for a world in motion

Light Duty Lever Controls



Creative solutions for every application

- Outdoor Power Equipment
- Recreational Equipment
- Tillers
- Snow Blowers
- String Trimmers
- ATV's
- Motorized Wheel Barrows
- Bicycles
- Marine
- Medical
- Office Furniture
- Automotive & Motorcycle
- Off-Road Vehicles

These Light Duty Lever Controls are the perfect compliment to Wescon's tension cable products. This unlimited combination provides the opportunity to create numerous solutions to the most demanding applications for your remote vehicle operating systems.

Applications:

Ground drive engagement
Light duty cable tension applications
Marine
Light duty brake controls
Recreational and sports
Throttle controls
Clutch engagement
Throttle twist grip controls
Furniture release controls
Seat adjustment controls
Wheelchair brake and adjustments controls

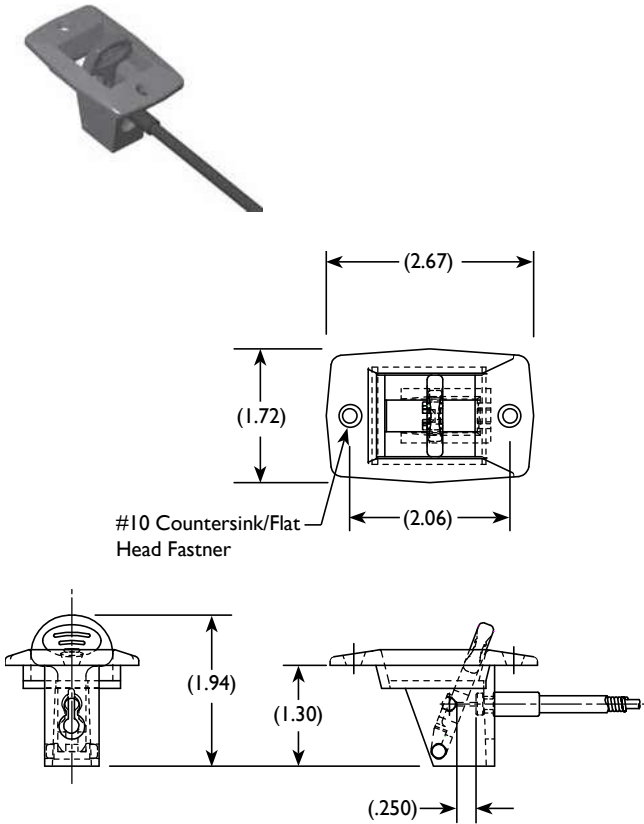
INDEX

Actuators	4
Grips	6

Actuator

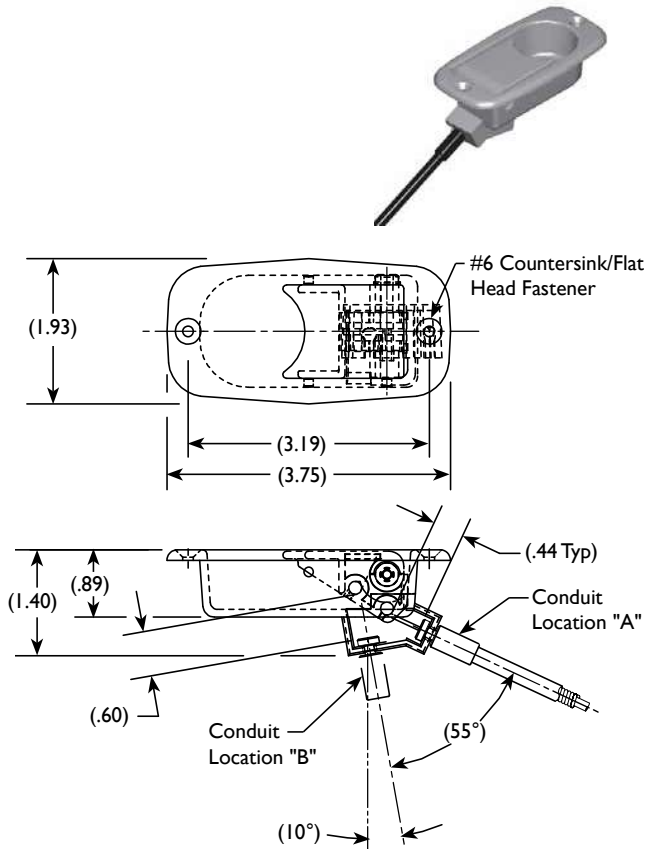
12-1500 Toggle Control Actuator

Travel: .44 Max.



12-1510 Mini-Lever Control Actuator

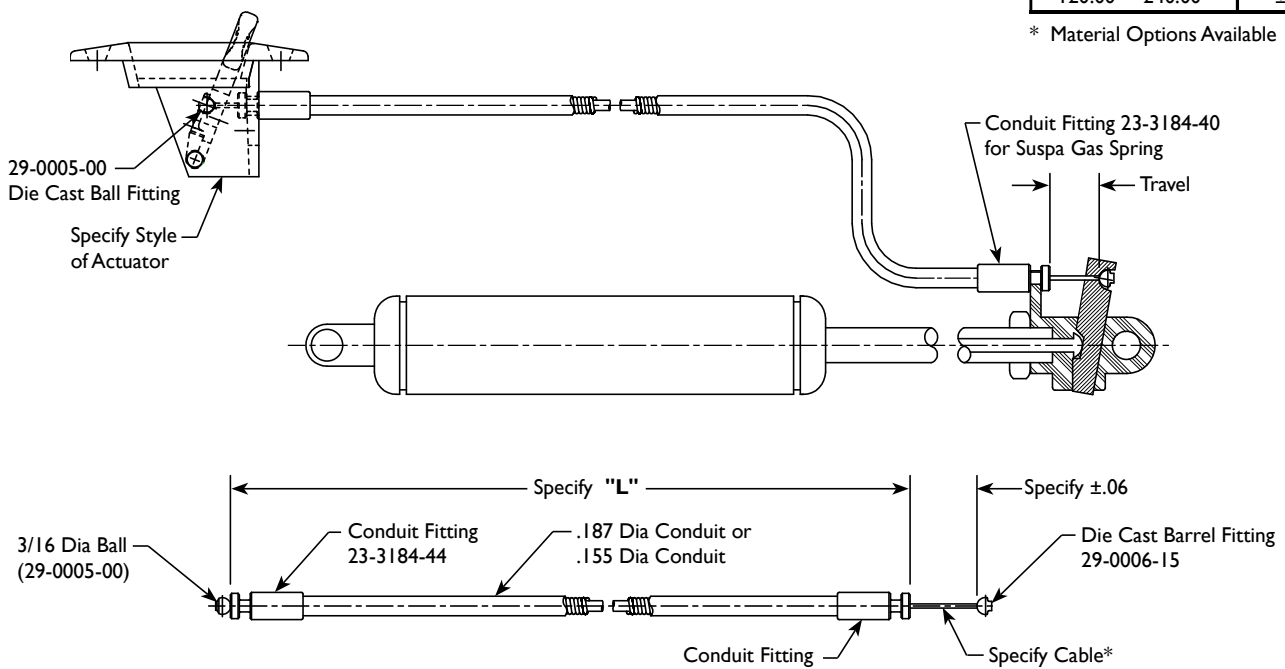
Travel: .55 Max.



Remote Actuation Systems

Control Length "L"	Tolerance
00.00" - 23.99"	±.12
24.00" - 59.00"	±.18
60.00" - 119.99"	±.25
120.00" - 240.00"	±.50

* Material Options Available

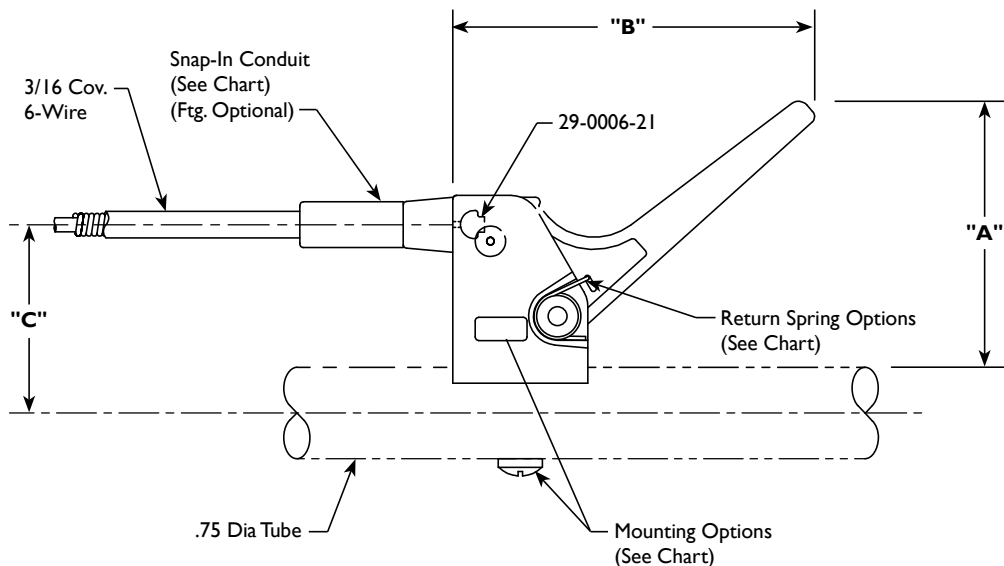
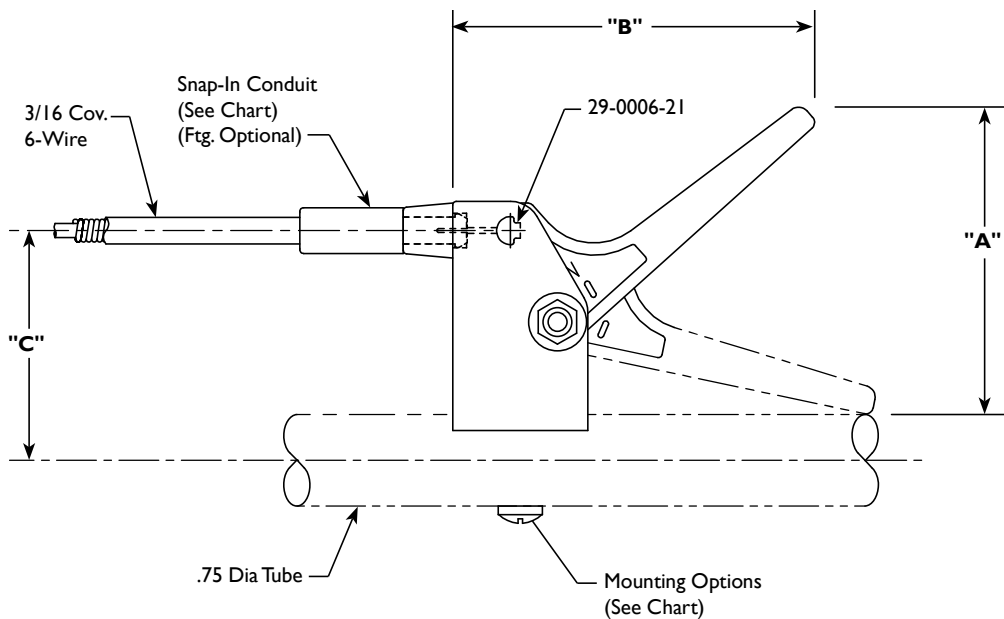


Actuator

15-1402 Molded Lever Control Actuator

* Insert Dash No.

13-0007-* Dash No.	Travel	Return Spring	Snap Ftg. Required	"A"	"B"	"C"	Mounting Options
-03	.75	No	Yes	2.97	2.50	(1.89)	#10 Self Tapping Screw
-04	.62	No	Yes	2.73	2.80	(1.54)	Mounting Strap or #10 Bolt & Nut
-08	.75	Yes	Yes	2.97	2.50	(1.89)	#10 Self Tapping Screw
-09	.62	Yes	No	2.73	2.80	(1.54)	Mounting Strap or #10 Bolt & Nut
-10	.62	Yes	Yes	2.73	2.80	(1.54)	Mounting Strap or #10 Bolt & Nut
-11	.62	No	No	2.73	2.80	(1.54)	Mounting Strap or #10 Bolt & Nut
-13	.62	No	Yes	2.73	2.80	(1.54)	Mounting Strap or #10 Bolt & Nut
-14	.62	Yes	No	2.73	2.80	(1.54)	Mounting Strap or #10 Bolt & Nut
-15	.62	Yes	Yes	2.73	2.80	(1.54)	Mounting Strap or #10 Bolt & Nut
-16	.62	No	No	2.73	2.80	(1.54)	Mounting Strap or #10 Bolt & Nut



RV Grips

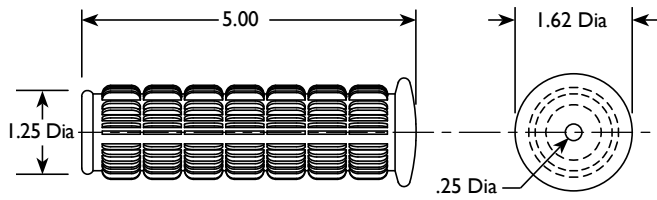
Here is the perfect grip for a wide variety of recreational vehicles. Because of its special design, it is an ideal grip for applications where brakes, throttle or clutch are controlled with a lever. Stays soft and pliable down to -40° F.

23-3160-* RV Grip

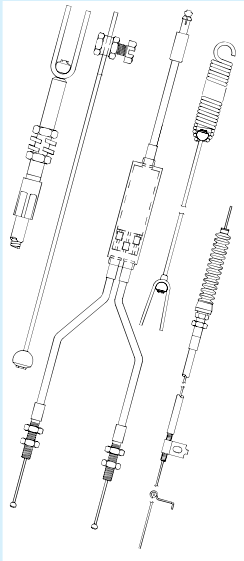
* Insert Dash No.

220 Per Box

Dash No.	Tube Dia
-03-01	.875
-04-01	1.00
-09-01	.75

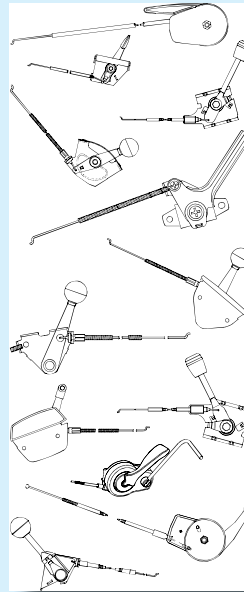


TAKE A LOOK AT OTHER WESCON PRODUCTS



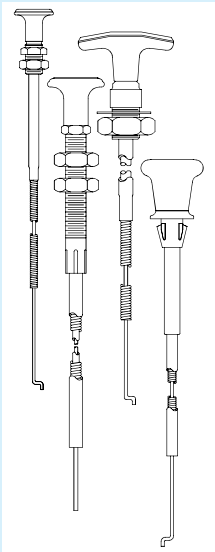
Controls for a world in motion

Accessories



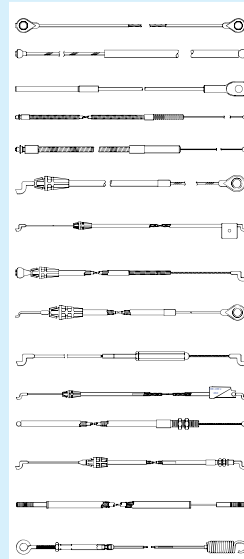
Controls for a world in motion

Outdoor Power Equipment Controls



Controls for a world in motion

Light Duty Push-Pull and Turn-to-Lock Controls



Controls for a world in motion

Light Duty Tension Cable Controls



Controls for a world in motion

WESCON CONTROLS, LLC

2533 S. West Wichita, Kansas 67217

316-942-7266 or call toll free 1-800-835-0160

Fax 316-942-5114

www.wesconcontrols.com

ISO 9001 CERTIFIED