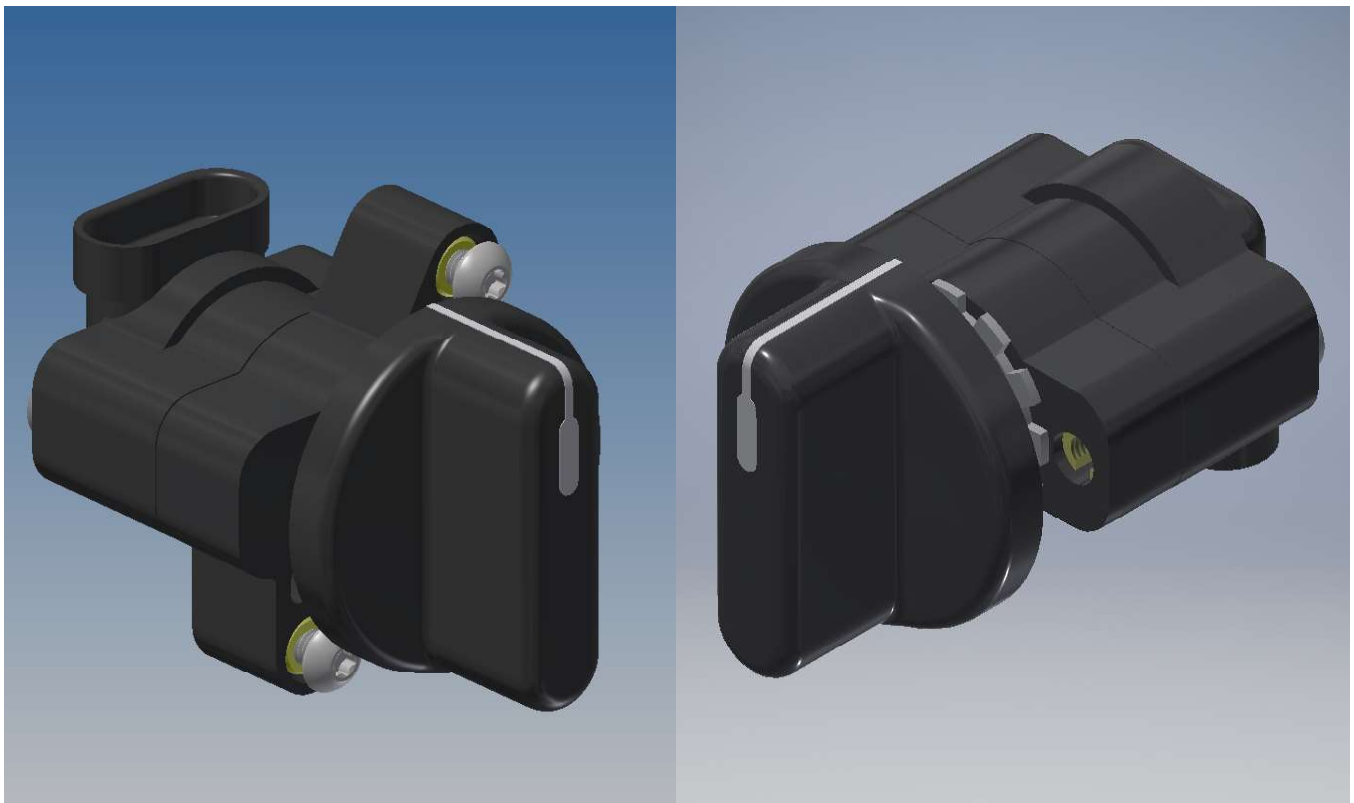




Controls for a world in motion

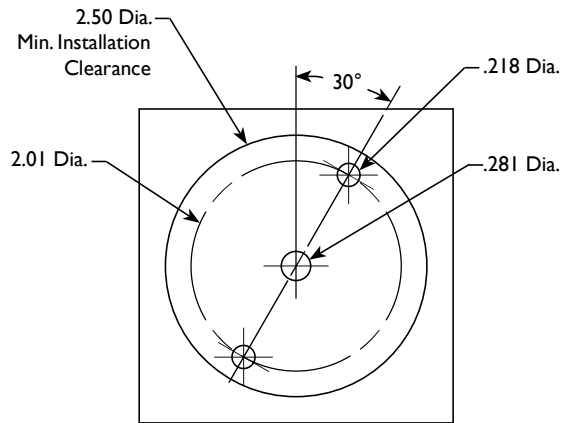
ELECTRONIC THROTTLE CONTROLS PANEL MOUNT - DIAL ACTUATED



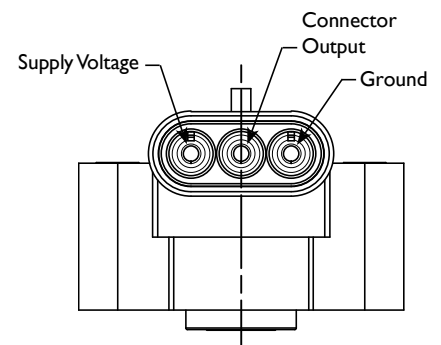
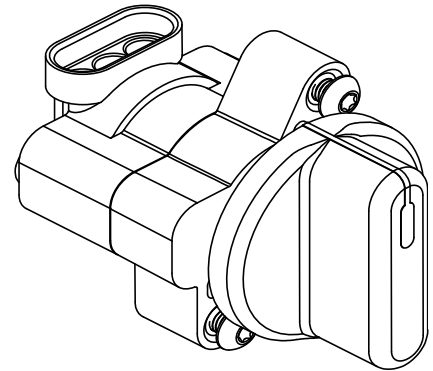
WESCON CONTROLS

12-1376 Series Panel Mount Electronic Throttle Control

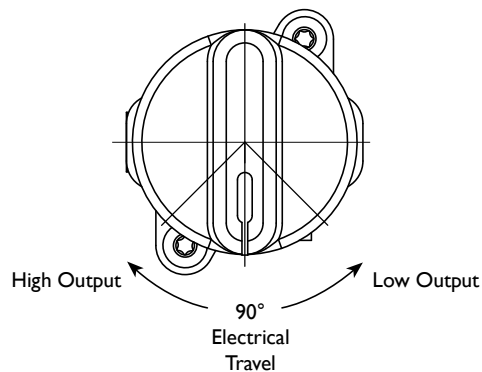
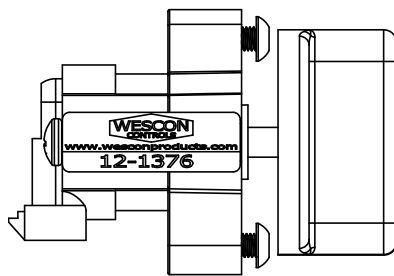
- 0-5Vdc Single Analog Variable Output
Works With: Kawasaki, Yanmar, Briggs & Stratton, Kubota Engines
- 0-10Vdc Single Analog Variable Output
Works With: Kohler Engines
- Hall Effect Electronic Sensor Standard
- Packard Electric Weather Pack 3 Pin Connector Standard



Panel Mount Detail



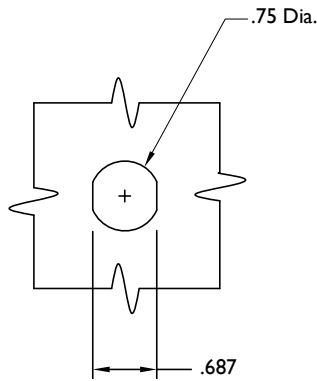
**Packard Electric Weather Pack
Mates to Delphi P/N 12015793**



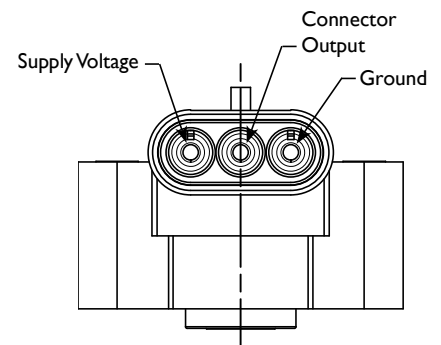
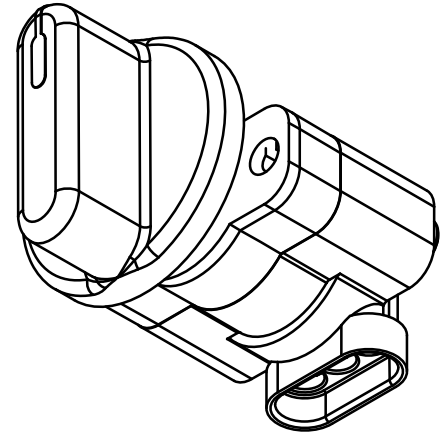
ENGINE	VOLTAGE OUTPUT		PART NUMBER
	LOW	HIGH	
Kubota	0-5V	0.5 4.5	12-1376-01
Kohler	0-10V	1.0 9.0	12-1376-02
Kawasaki	0-5V	.75 4.25	12-1376-03

12-1377 Series Panel Mount Electronic Throttle Control

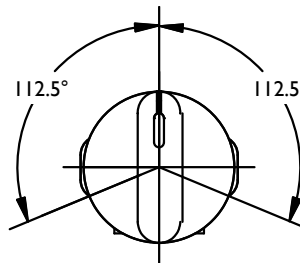
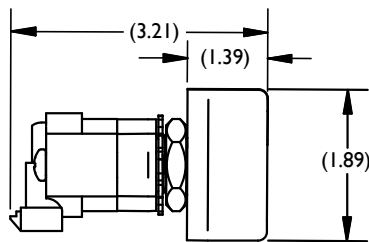
- 0-5 Vdc Single Analog Variable Output
Works With: Kawasaki, Yanmar, Briggs & Stratton, Kubota Engines
- Hall Effect Electronic Sensor
- Packard Electric Weather Pack 3 Pin Connector
- Single Center Mounted Panel Hole
- Programmable Custom Outputs
- Sealed to IP 67, IP 69K



Panel Mount Detail



**Packard Electric Weather Pack
Mates to Delphi P/N 12015793**



ENGINE	VOLTAGE OUTPUT		PART NUMBER
	LOW	HIGH	
Various Manufacturers	.5	4.5	12-1377-00
Various Manufacturers	.1	4.0	12-1377-01

Output can be custom programmed, contact your Wescon associate

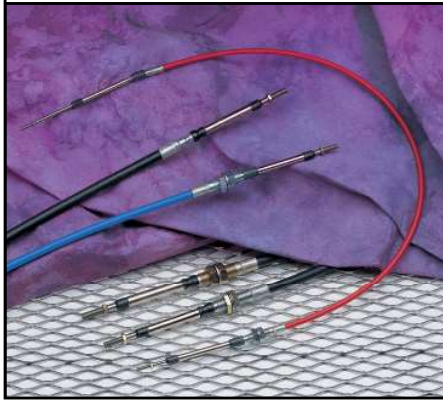
TAKE A LOOK AT OTHER WESCON PRODUCTS



LIGHT DUTY MECHANICAL
CONTROL SYSTEMS



PUSH-PULL CABLES
CONTROL SYSTEMS



PANEL
CONTROL SYSTEMS



BRAKE CABLE
AND LEVER SYSTEMS



REMOTE VALVE
CONTROL SYSTEMS



ROTARY PUSH-PULL
LEVER CONTROL SYSTEMS



Controls for a world in motion

WESCON CONTROLS, LLC

2533 S. West Wichita, Kansas 67217
316-942-7266 or call toll free 1-800-835-0160
Fax 316-942-5114
www.wesconcontrols.com
ISO 9001 CERTIFIED