



Controls for a world in motion

ELECTRONIC THROTTLE CONTROLS PANEL MOUNT - LEVER ACTUATED



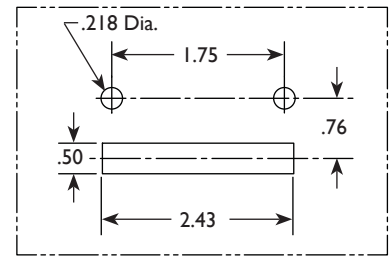
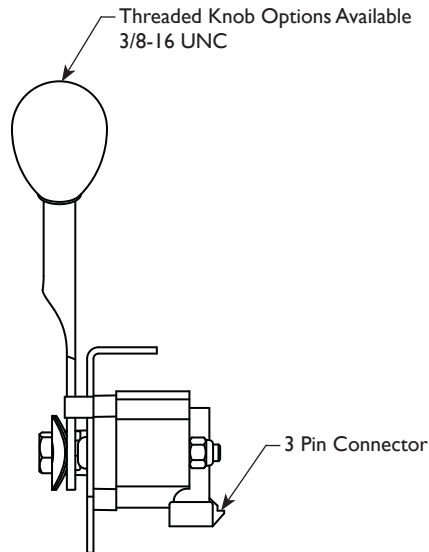
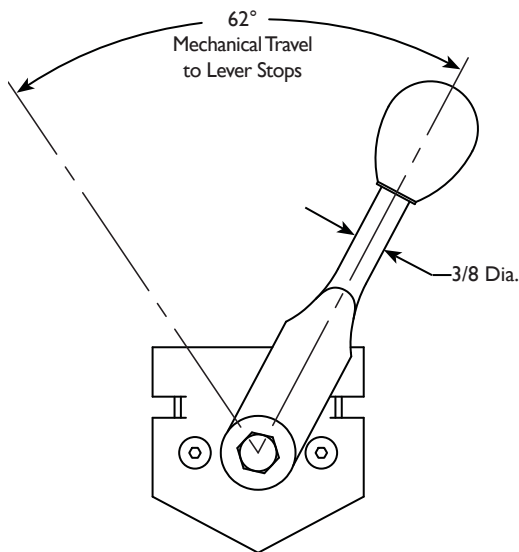
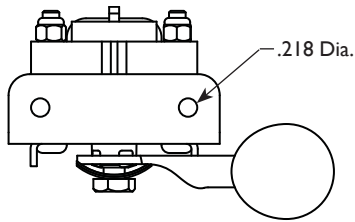
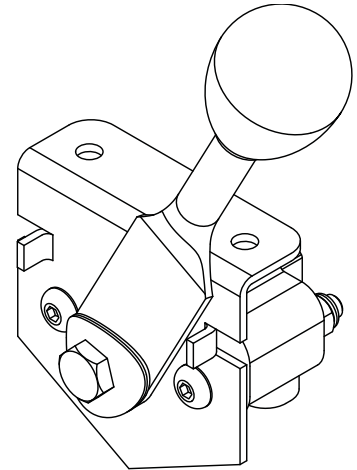
WESCON CONTROLS

12-1375 Series Panel Mount Electronic Throttle Control

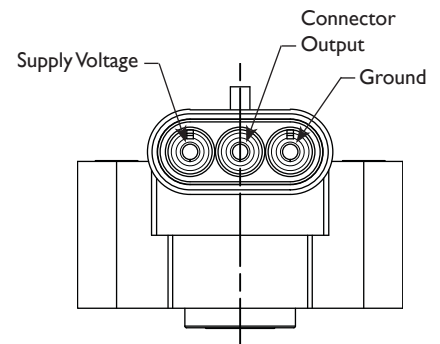
Materials: Lever 3/8 Dia.
Bracket 14 Ga. (.074)

Finish: Plated for Corrosion Protection

- 0-5Vdc Single Analog Variable Output
Works With: Kawasaki, Yanmar, Briggs & Stratton, Kubota Engines
- 0-10Vdc Single Analog Variable Output
Works With: Kohler Engines
- Hall Effect Electronic Sensor Standard
- Packard Electric Weather Pack 3 Pin Connector Standard
- .218 Dia. Mounting Holes Standard
- 62° Integrated Lever Stops Standard



**Panel Cutout Detail
Rod Style Lever**



**Packard Electric Weather Pack
Mates to Delphi P/N 12015793**

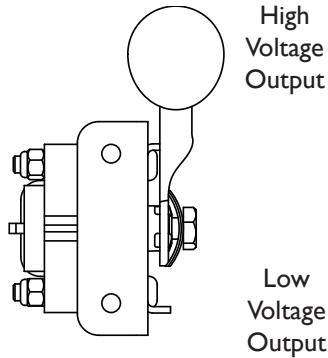
Fill in your requirements and fax to Wescon at 316-942-5114.
 Visit our website at www.wesconproducts.com.

Company Name: _____ Contact Person: _____

Phone : _____ Fax: _____ E-Mail: _____

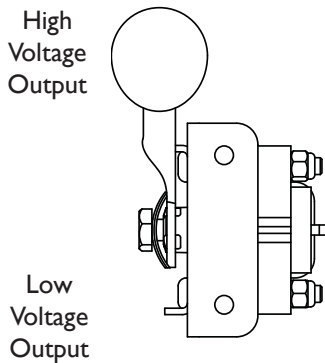
Estimated Annual Usage: _____

Configuration Options



Left Side of Slot Mount (L.S.S.)

| ENGINE | VOLTAGE OUTPUT | | PART NUMBER |
|---------------|----------------|------|-------------|
| | LOW | HIGH | |
| Kawasaki 0-5V | 0.5 | 4.5 | 24-1375-01 |
| Kohler 0-10V | 1.0 | 9.0 | 24-1375-03 |

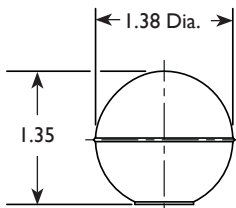


Right Side of Slot Mount (R.S.S.)

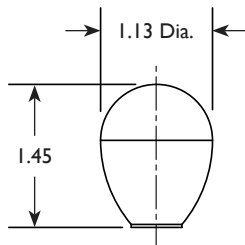
| ENGINE | VOLTAGE OUTPUT | | PART NUMBER |
|---------------|----------------|------|-------------|
| | LOW | HIGH | |
| Kawasaki 0-5V | 0.5 | 4.5 | 24-1375-02 |
| Kohler 0-10V | 1.0 | 9.0 | 24-1375-04 |

Knob Options

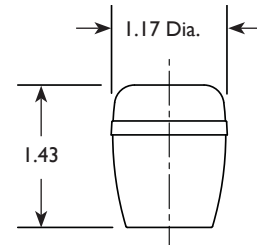
(Purchase Separately in Bulk)



30-3137-02



30-1001-06



17-0500-01

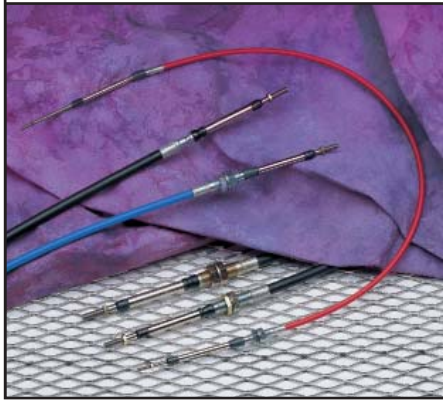
TAKE A LOOK AT OTHER WESCON PRODUCTS



LIGHT DUTY MECHANICAL
CONTROL SYSTEMS



PUSH-PULL CABLES
CONTROL SYSTEMS



PANEL
CONTROL SYSTEMS



BRAKE CABLE
AND LEVER SYSTEMS



REMOTE VALVE
CONTROL SYSTEMS



ROTARY PUSH-PULL
LEVER CONTROL SYSTEMS



Controls for a world in motion

WESCON CONTROLS

P.O. Box 7710 Wichita, Kansas 67277
316-942-7266 or call toll free 1-800-835-0160
Fax 316-942-5114
www.wesconproducts.com
ISO 9001 CERTIFIED