



Controls for a world in motion

# ROTARY PUSH-PULL LEVER CONTROL SYSTEMS



**WESCON CONTROLS**

# WESCON'S ROTARY LEVER CONTROLS



## Friction Control

Adjustable friction control which allows customers to set lever forces. Customize the lever effort based on the application



## Detented Control

Handle has built-in detent feature with positive stop in any position. In addition, lever force is also adjustable.



## Panel Mount

Rotary control can be mounted to flat panel or side plate. Mounting with 4 #10 fasteners.



## Handlebar Mount

Easily mounts to either a 7/8" or 1.00" dia. tube with 2 #10 fasteners. Engineered to reduce additional custom parts when mounting to handlebar.



## Output Ends

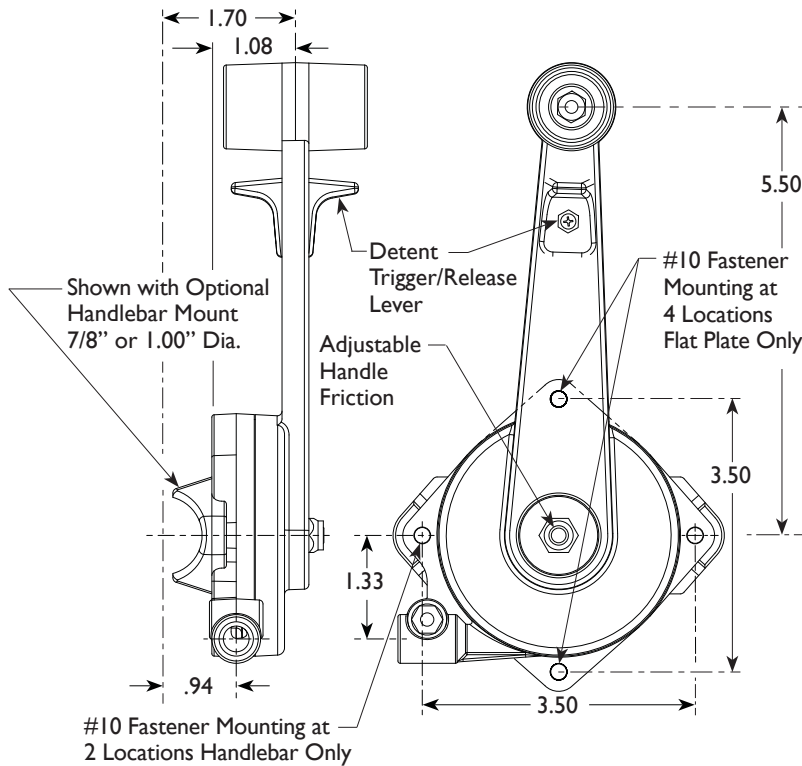
Wescon offers a number of different options for the output ends of your rotary control. Swivel ends, bulkhead or straight are all available to meet your specific needs.



## Accessories

Wescon offers hardware to join your control to many different applications, including a wide variety of end terminations.

## DETENTED CONTROL



## APPLICATIONS

Light to medium duty push-pull throttles, valve controls, speed controls or hydrostatic transmission controls

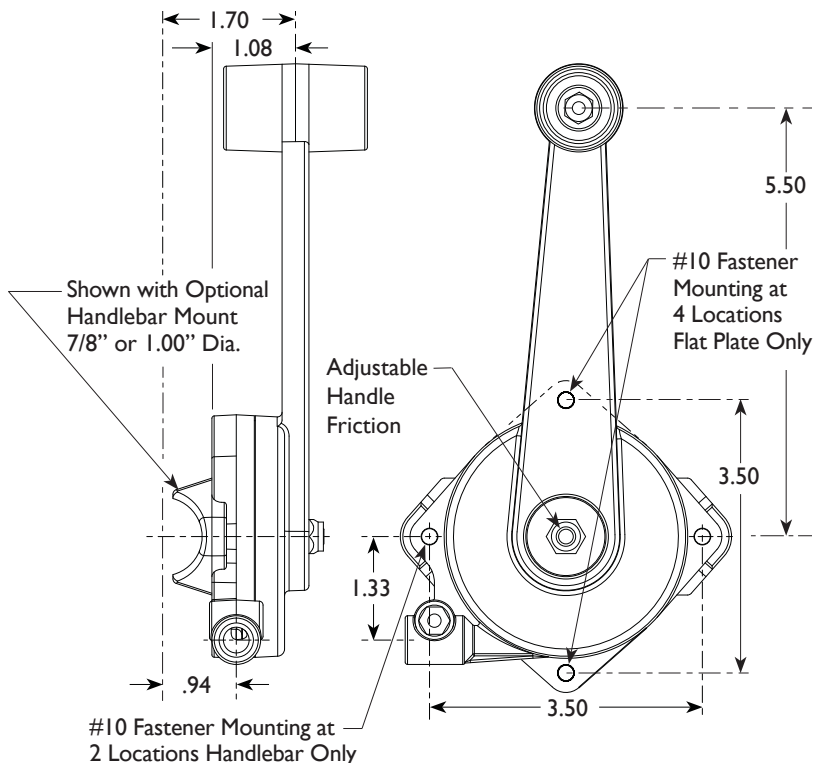
## FEATURES

- Travel ranges of 1.00" to 3.00"
- Detented
- Positive stops in 1/4" increments
- Adjustable lever friction
- Adjustable lever position every 22 1/2°

## BENEFITS

- Durable aluminum diecast lever
- High efficiency and wear resistant composite inner spool
- Mounting options
  - Handlebar mount for 7/8" or 1.00" dia.
  - Side mount
  - 1/2" min. wide panel slot
- Use of 30 Series high flex conduit/core
- Accommodates 20 lb. operating load
- Control and cable assembly shipped complete from factory

## FRICION CONTROL



## APPLICATIONS

Light to medium duty push-pull throttles, valve controls, speed controls or hydrostatic transmission controls

## FEATURES

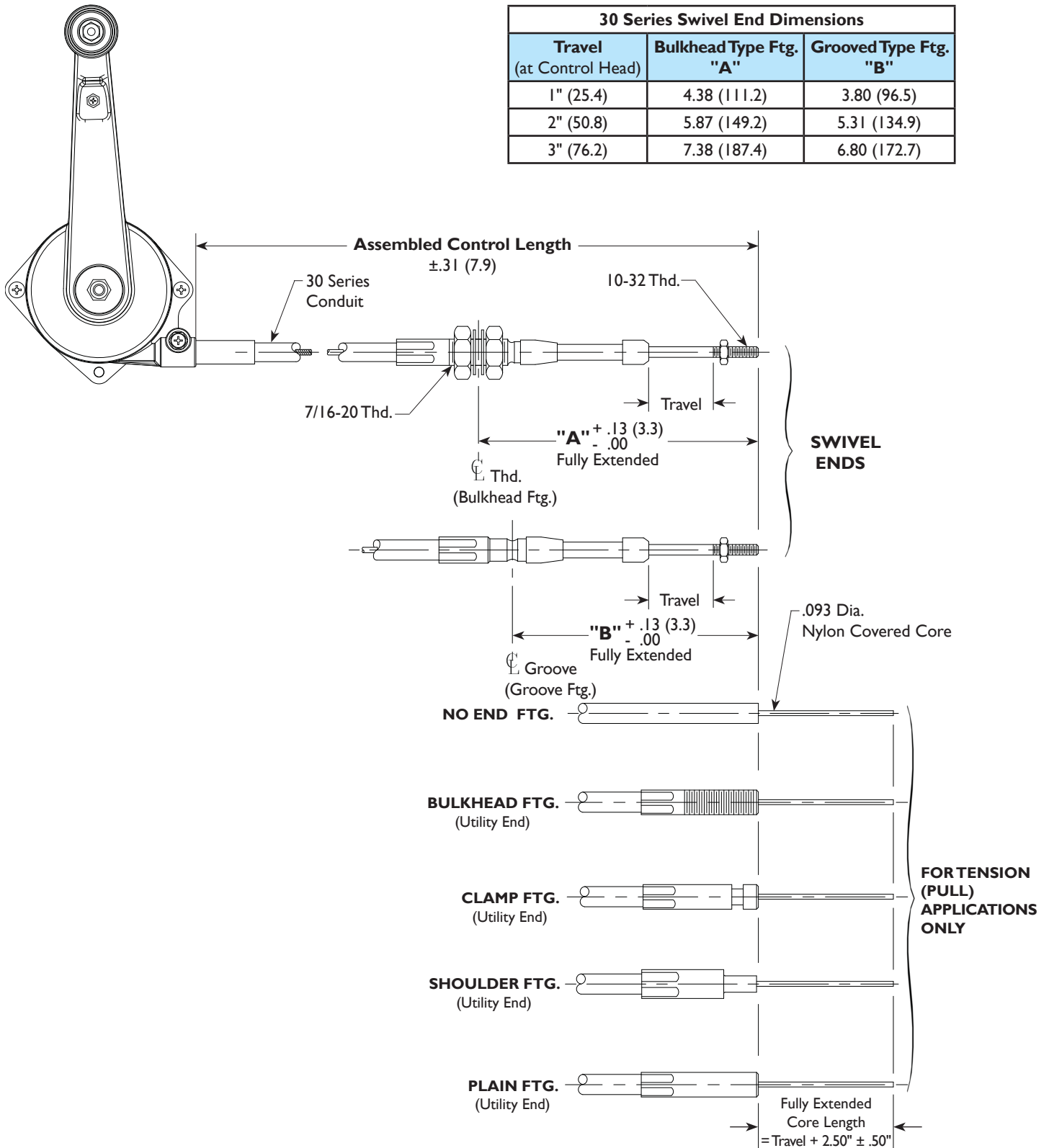
- Travel ranges of 1.00" to 3.00"
- Nondetented
- Adjustable lever friction
- Adjustable lever position every 22 1/2°

## BENEFITS

- Durable aluminum diecast lever
- High efficiency and wear resistant composite inner spool
- Mounting options
  - Handlebar mount for 7/8" or 1.00" dia.
  - Side mount
  - 1/2" min. wide panel slot
- Use of 30 Series conduit/core
- Accommodates 20 lb. operating load
- Control and cable assembly shipped complete from factory

**STANDARD CONSTRUCTION INCLUDES:**

- 30 Series Push\Pull Construction
- .093 Dia. 1 x 19 Nylon Covered Core
- .39 Dia. Conduit
- 1.00", 1.50", 2.00", 2.50" & 3.00" Travel Options
- 1.00", 2.00" or 3.00" Travel @ Swivel End



Fill in your requirements and fax to **Wescon** at **316-942-5114**  
or visit our web-site **www.wesconproducts.com**

Company Name: \_\_\_\_\_ Contact Person: \_\_\_\_\_

Phone : \_\_\_\_\_ Fax: \_\_\_\_\_ E-Mail: \_\_\_\_\_

- Control Type**
- Type I                       TR     DR     BL
  - Type II                       TL     DL     BR

- Control Tension**     Detented (Specify Detent \*)     Friction

- Travel (Inches)**     1.00     1.50     2.00     2.50     3.00

**Mounting Options**

- Flat (4 Bolt)
- 7/8" Dia. Handlebar
- 1" Dia. Handlebar

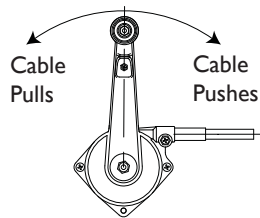
**Output End** (See Travel Requirements Page 4)

- Bulkhead - Swivel, SS Rod with Plated Brass Tube
- Grooved - Swivel, SS Rod with Plated Brass Tube
- No End Fitting
- Utility - Bulkhead w/Nuts
- Utility - Clamp
- Utility - Shoulder
- Utility - Plain

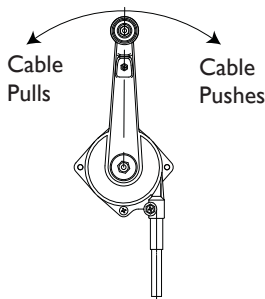
**Control Length**

\_\_\_\_\_ ±.31 Inches (Page 4)

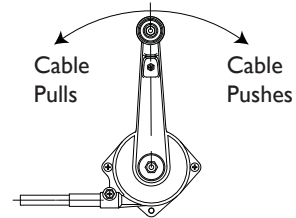
**TYPE I**



Top RH Exit  
Style TR

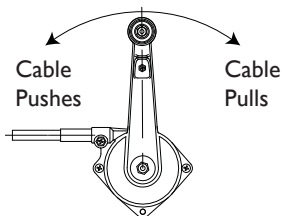


Down RH Exit  
Style DR

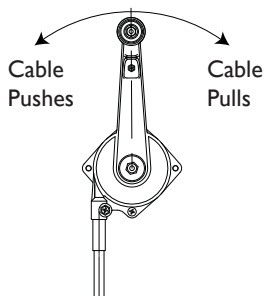


Bottom LH Exit  
Style BL

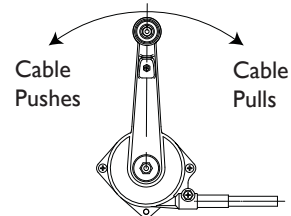
**TYPE II**



Top LH Exit  
Style TL



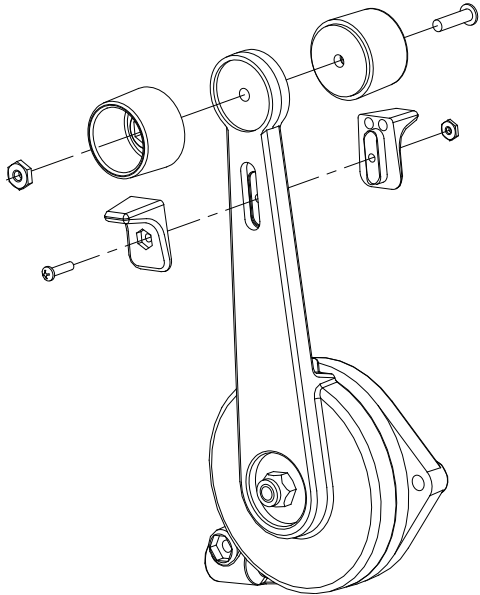
Down LH Exit  
Style DL



Bottom RH Exit  
Style BR

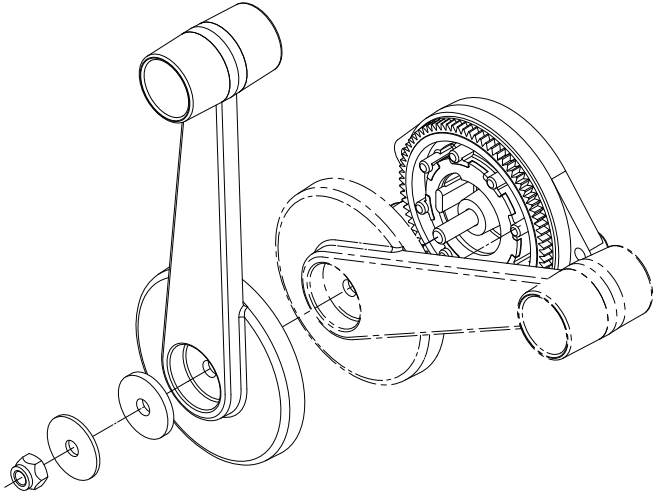
\* Contact Wescon Representative

## KNOB/DETENT TRIGGER ASSEMBLY



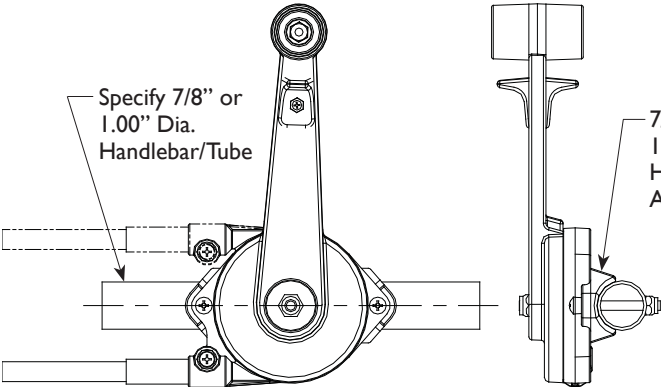
1. Remove knob and trigger by removing fasteners.
2. Install control thru min. 1/2" wide slot in panel.
3. Reinstall fasteners.

## LEVER POSITION ASSEMBLY

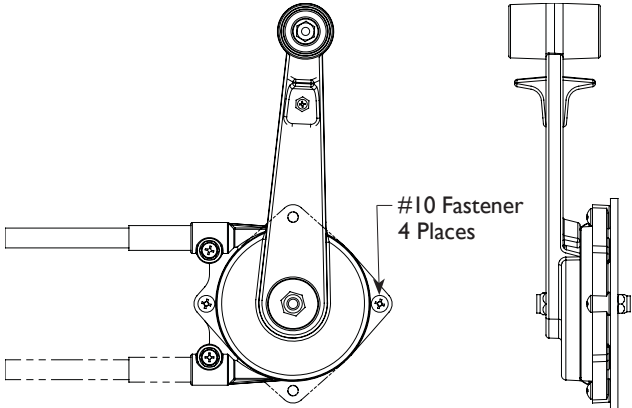


- Adjust handle position as follows:
  1. Remove center lock nut and washers.
  2. Remove lever.
  3. Reposition lever to desired position.
  4. Reinstall hardware and tighten to set desired friction.

## Mounting Options

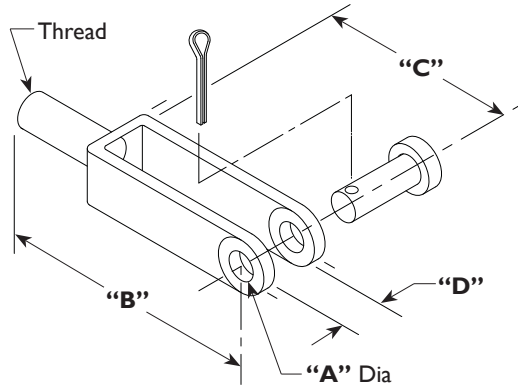


**HANDLEBAR MOUNTING**



**FLAT SURFACE MOUNTING**

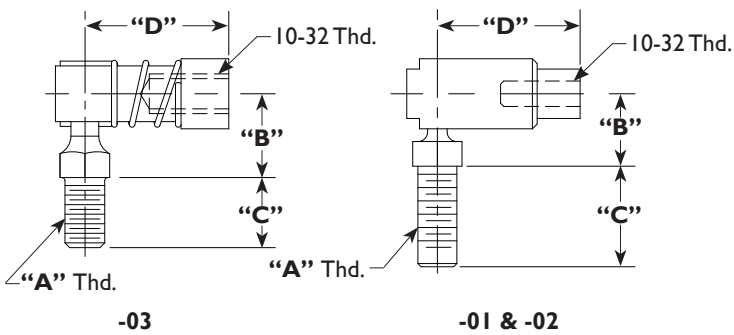
## Clevis Assembly



30 Series (10-32 Thread)				
Part Number	"A" Dia	"B"	"C"	"D"
06-1500-04	.187 (4.8)	1.56 (39.7)	1.00 (25.4)	.187 (4.8)
06-1500-05	.25 (6.3)	2.00 (50.8)	1.25 (31.7)	.281 (7.1)

All Dimensions are in inches (mm)

## Ball Joint

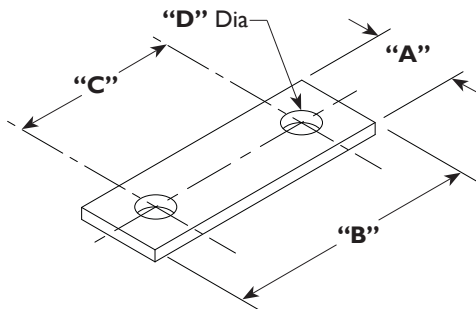


30 Series				
Part Number	"A" Thd	"B"	"C"	"D"
08-0005-01	1/4-28	.47 (11.9)	.56 (14.2)	.91 (23.1)
08-0005-02	10-32	.47 (11.9)	.44 (11.2)	.91 (23.1)
*08-0005-03	10-32	.47 (11.9)	.44 (11.2)	.91 (23.1)

All Dimensions are in inches (mm)

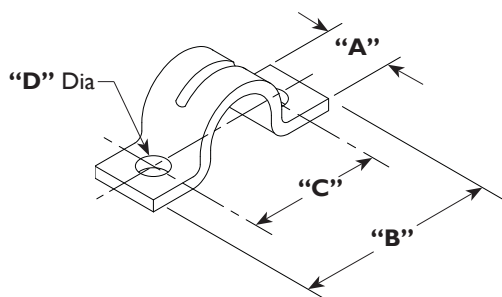
\* Stainless Steel

## Shim



30 Series				
Part Number	"A"	"B"	"C"	"D" Dia
08-0010-01	.50 (12.7)	1.50 (38.1)	1.00 (25.4)	.203 (5.1)

## Clamps



30 Series				
Part Number	"A"	"B"	"C"	"D" Dia
08-0009-01	.50 (12.7)	1.50 (38.1)	1.00 (25.4)	.203 (5.1)

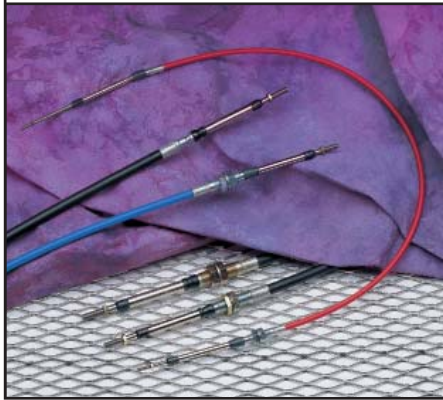
# TAKE A LOOK AT OTHER WESCON PRODUCTS



LIGHT DUTY MECHANICAL  
CONTROL SYSTEMS



PUSH-PULL CABLES  
CONTROL SYSTEMS



PANEL  
CONTROL SYSTEMS



BRAKE CABLE  
AND LEVER SYSTEMS



REMOTE VALVE  
CONTROL SYSTEMS



SHIFT & UNIVERSAL  
DUMP CONTROL



Controls for a world in motion

## WESCON CONTROLS

P.O. Box 7710 Wichita, Kansas 67277  
316-942-7266 or call toll free 1-800-835-0160

Fax 316-942-5114

[www.wesconproducts.com](http://www.wesconproducts.com)

ISO 9001 CERTIFIED