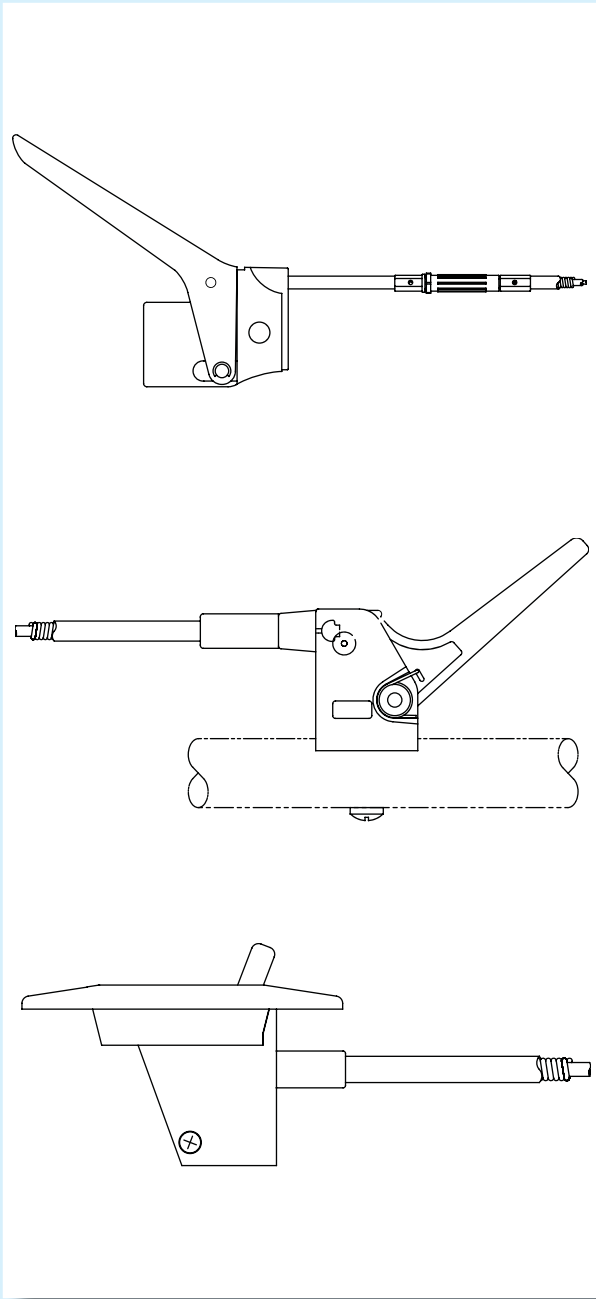




Controls for a world in motion

**Light Duty Lever Controls**



## Creative solutions for every application

- Outdoor Power Equipment
- Recreational Equipment
- Tillers
- Snow Blowers
- String Trimmers
- ATV's
- Motorized Wheel Barrows
- Bicycles
- Marine
- Medical
- Office Furniture
- Automotive & Motorcycle
- Off-Road Vehicles

**These Light Duty Lever Controls are the perfect compliment to Wescon's tension cable products. This unlimited combination provides the opportunity to create numerous solutions to the most demanding applications for your remote vehicle operating systems.**

### Applications:

Ground drive engagement  
Light duty cable tension applications  
Marine  
Light duty brake controls  
Recreational and sports  
Throttle controls  
Clutch engagement  
Throttle twist grip controls  
Furniture release controls  
Seat adjustment controls  
Wheelchair brake and adjustments controls

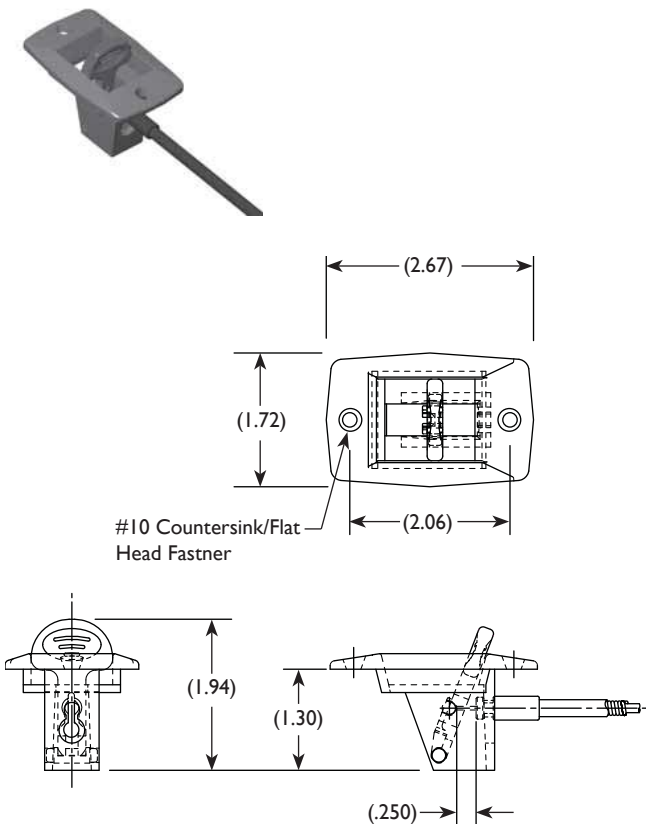
## INDEX

Actuators .....	4
Molded Lever Controls .....	6
Grips .....	7

# Actuator

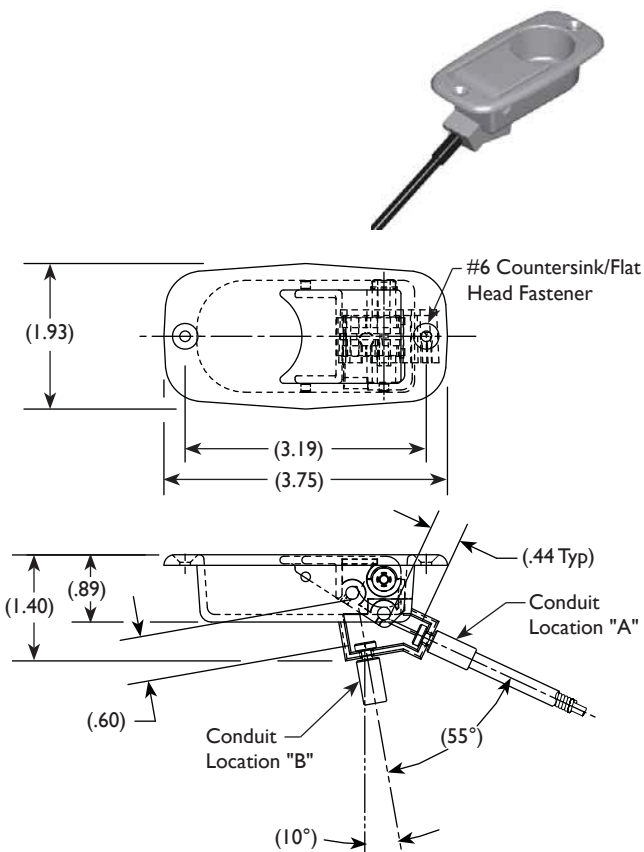
## 12-1500 Toggle Control Actuator

Travel: .44 Max.



## 12-1510 Mini-Lever Control Actuator

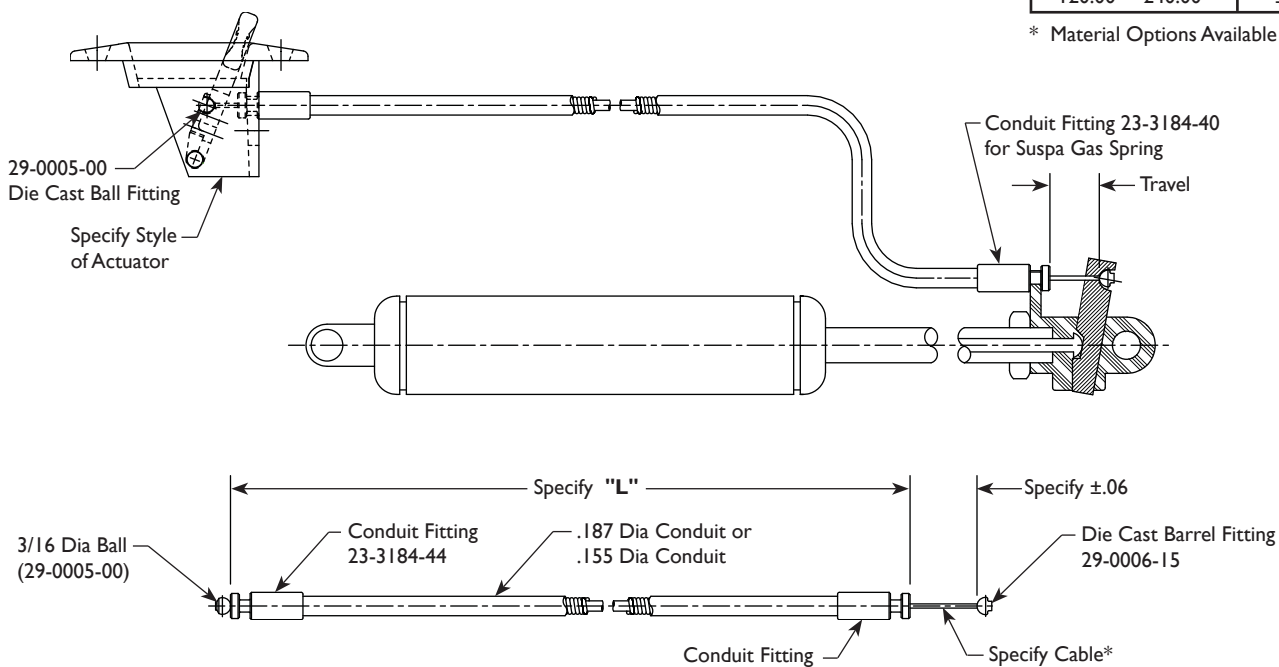
Travel: .55 Max.



## Remote Actuation Systems

Control Length "L"	Tolerance
00.00" - 23.99"	±.12
24.00" - 59.00"	±.18
60.00" - 119.99"	±.25
120.00" - 240.00"	±.50

\* Material Options Available

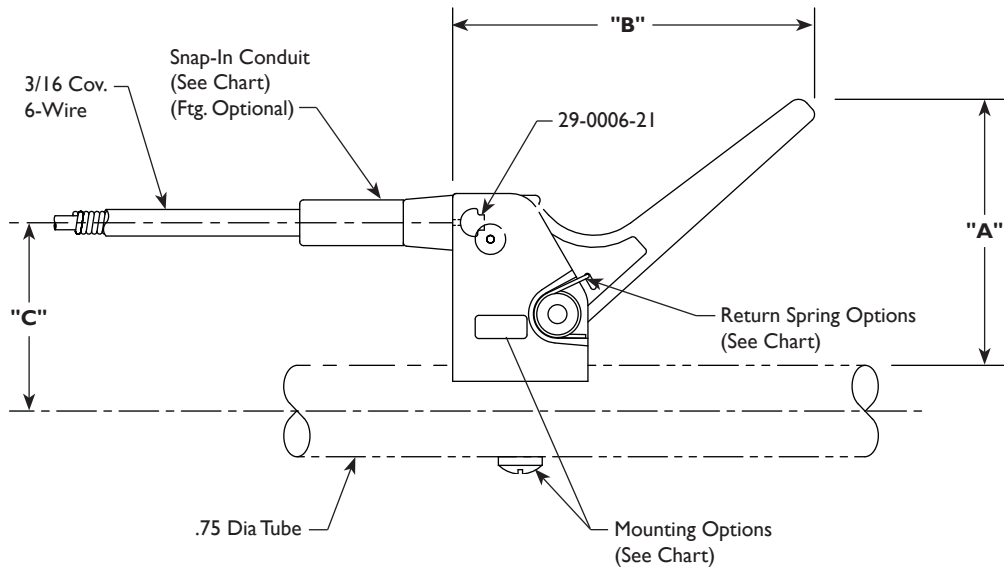
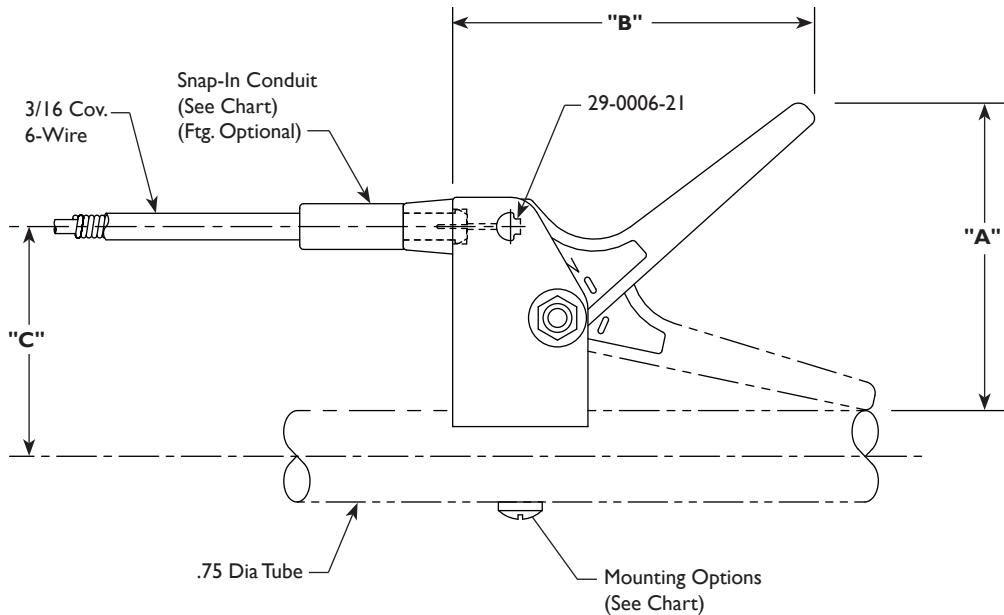


# Actuator

## 15-I402 Molded Lever Control Actuator

\* Insert Dash No.

13-0007-* Dash No.	Travel	Return Spring	Snap Ftg. Required	"A"	"B"	"C"	Mounting Options
-03	.75	No	Yes	2.97	2.50	(1.89)	#10 Self Tapping Screw
-04	.62	No	Yes	2.73	2.80	(1.54)	Mounting Strap or #10 Bolt & Nut
-08	.75	Yes	Yes	2.97	2.50	(1.89)	#10 Self Tapping Screw
-09	.62	Yes	No	2.73	2.80	(1.54)	Mounting Strap or #10 Bolt & Nut
-10	.62	Yes	Yes	2.73	2.80	(1.54)	Mounting Strap or #10 Bolt & Nut
-11	.62	No	No	2.73	2.80	(1.54)	Mounting Strap or #10 Bolt & Nut
-13	.62	No	Yes	2.73	2.80	(1.54)	Mounting Strap or #10 Bolt & Nut
-14	.62	Yes	No	2.73	2.80	(1.54)	Mounting Strap or #10 Bolt & Nut
-15	.62	Yes	Yes	2.73	2.80	(1.54)	Mounting Strap or #10 Bolt & Nut
-16	.62	No	No	2.73	2.80	(1.54)	Mounting Strap or #10 Bolt & Nut

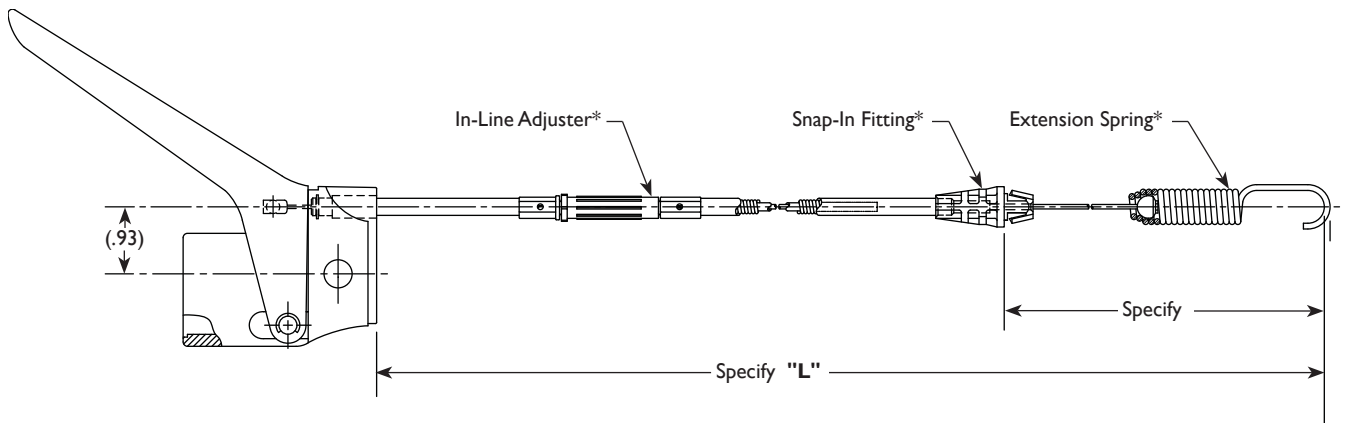
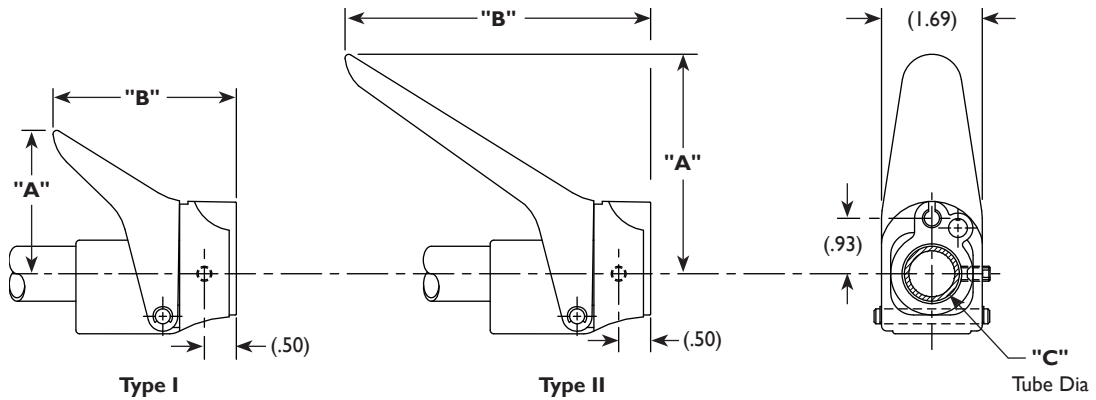


# Molded Lever Controls

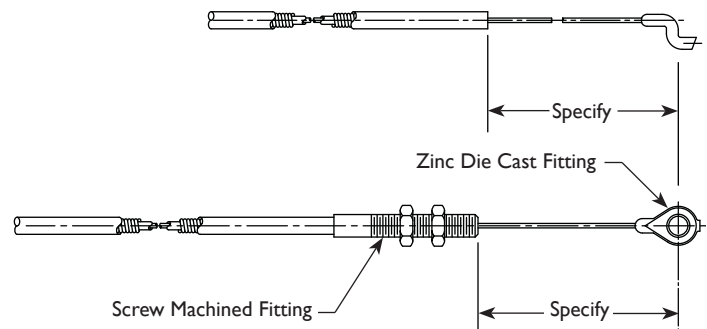
## I5-1802 Series

\* See Light Duty Tension Cable Control Catalog for options available.

Control Type	Control Part No.	Core Travel	"A"	"B"	"C"
I	12-2111-00	1.00	2.38	3.07	.875
	12-2111-07	1.00	2.38	3.07	1.00
	12-2111-08	1.00	2.38	3.07	.875
	12-2111-09	1.00	2.38	3.07	.875
	12-2111-11	1.25	2.80	-	1.00
II	12-2112-01	1.00	3.50	5.18	1.00
	12-2112-02	1.25	4.25	-	1.00
	12-2112-03	1.00	3.50	5.18	.875
	12-2112-04	1.25	4.25	-	1.00
	12-2112-05	1.00	3.50	5.18	.875
	12-2112-06	1.25	4.25	-	1.00



Control Length "L"	Tolerance
00.00" - 23.99"	±.12
24.00" - 59.00"	±.18
60.00" - 119.99"	±.25
120.00" - 240.00"	±.50



# Grips

## Fin Grips

Here is a grip that was designed specifically for a new look, without sacrificing comfort. The finned design makes it a natural for many specialty applications. Uses are limited only by your imagination. Universal size gives it the versatility to fit almost any product. It stays pliable in cold weather, yet soft with a sure grip.

## RV Grips

Here is the perfect grip for a wide variety of recreational vehicles. Because of its special design, it is an ideal grip for applications where brakes, throttle or clutch are controlled with a lever. Stays soft and pliable down to -40° F.

## Soft Touch Grips

This grip is ideal for industrial and outdoor equipment applications. It features an ultra-soft touch to reduce hand and arm fatigue. The core is fluted to provide a cushion of air that insulates the operator from vibration. Ribbed design and nonslip rear flange add to operator comfort and it stays pliable in cold weather. Use it on lawn mowers, snow throwers, wheelbarrows, hand trucks and many other applications.

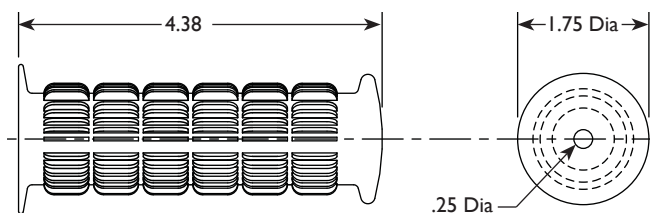
## Thru Grips

Designed as a companion to our standard fin grip, the "Thru Grip" aids in the handling of a tube or bar in the "middle" and not just from the end. Optional holes in the flange allow easy routing of throttle cables for a neat appearing package.

### 23-3160-\* Fin Grip

\* Insert Dash No.  
\*\* Special Order  
200 Per Box

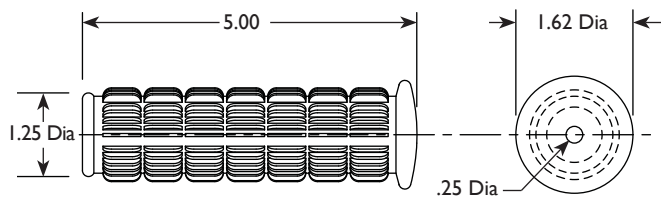
Dash No.	Tube Dia
-00-01	.875
-01-01	1.00
**-.10-01	.75



### 23-3160-\* RV Grip

\* Insert Dash No.  
220 Per Box

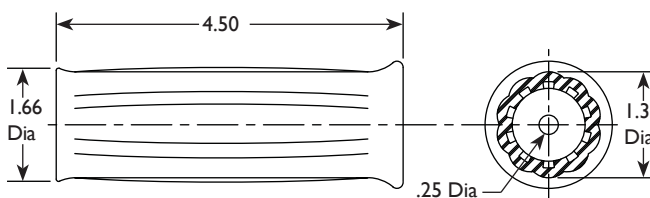
Dash No.	Tube Dia
-03-01	.875
-04-01	1.00
-09-01	.75



### 23-3212-\* Soft-Touch Grip

\* Insert Dash No.  
220 Per Box

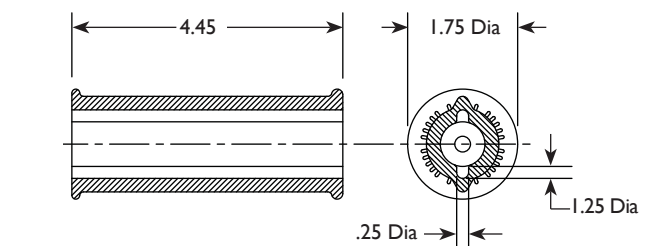
Dash No.	Tube Dia
-01-01	.875
-02-01	1.00
-03-01	1.12



### 23-3160-\* Thru Grip

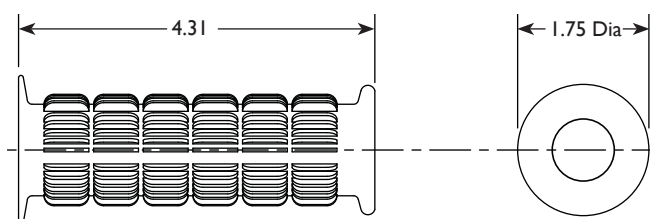
Special Order  
\* Insert Dash No.  
200 Per Box

Dash No.	Tube Dia
-22-01	.875
-23-01	1.00



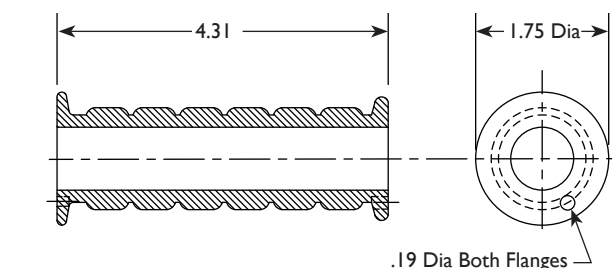
### 23-3160-18-01 Thru Grip

Special Order  
1.00 Tube Dia  
200 Per Box

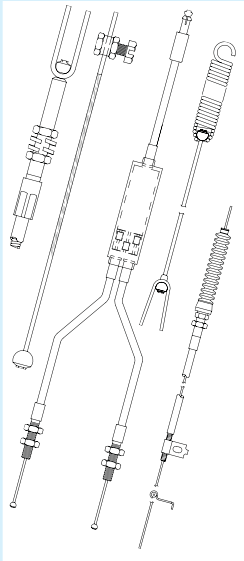


### 23-3160-19-01 Thru Grip w/Flange Holes

Special Order  
1.00 Tube Dia  
200 Per Box

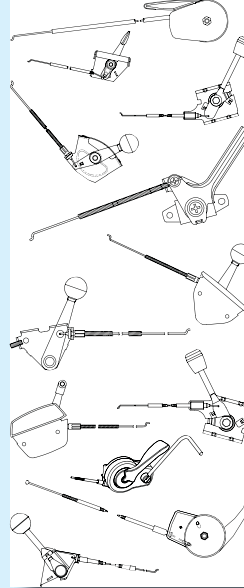


# TAKE A LOOK AT OTHER WESCON PRODUCTS



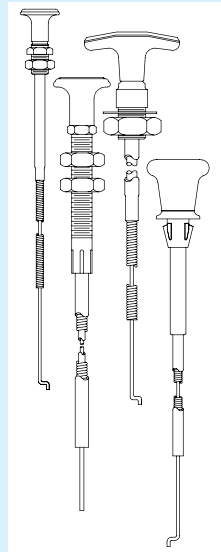
Controls for a world in motion

**Accessories**



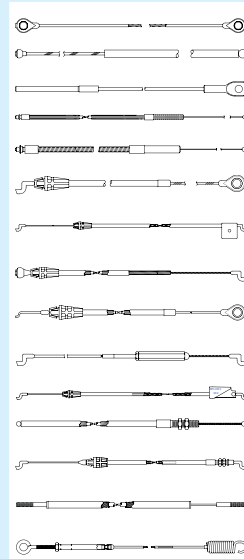
Controls for a world in motion

**Outdoor Power Equipment Controls**



Controls for a world in motion

**Light Duty Push-Pull and Turn-to-Lock Controls**



Controls for a world in motion

**Light Duty Tension Cable Controls**



Controls for a world in motion

**WESCON CONTROLS**

P.O. Box 7710 Wichita, Kansas 67277  
316-942-7266 or call toll free 1-800-835-0160

Fax 316-942-5114

www.wesconproducts.com

ISO 9001 CERTIFIED