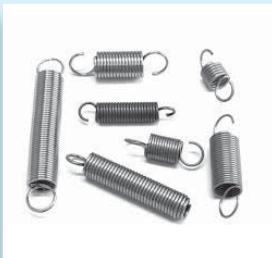
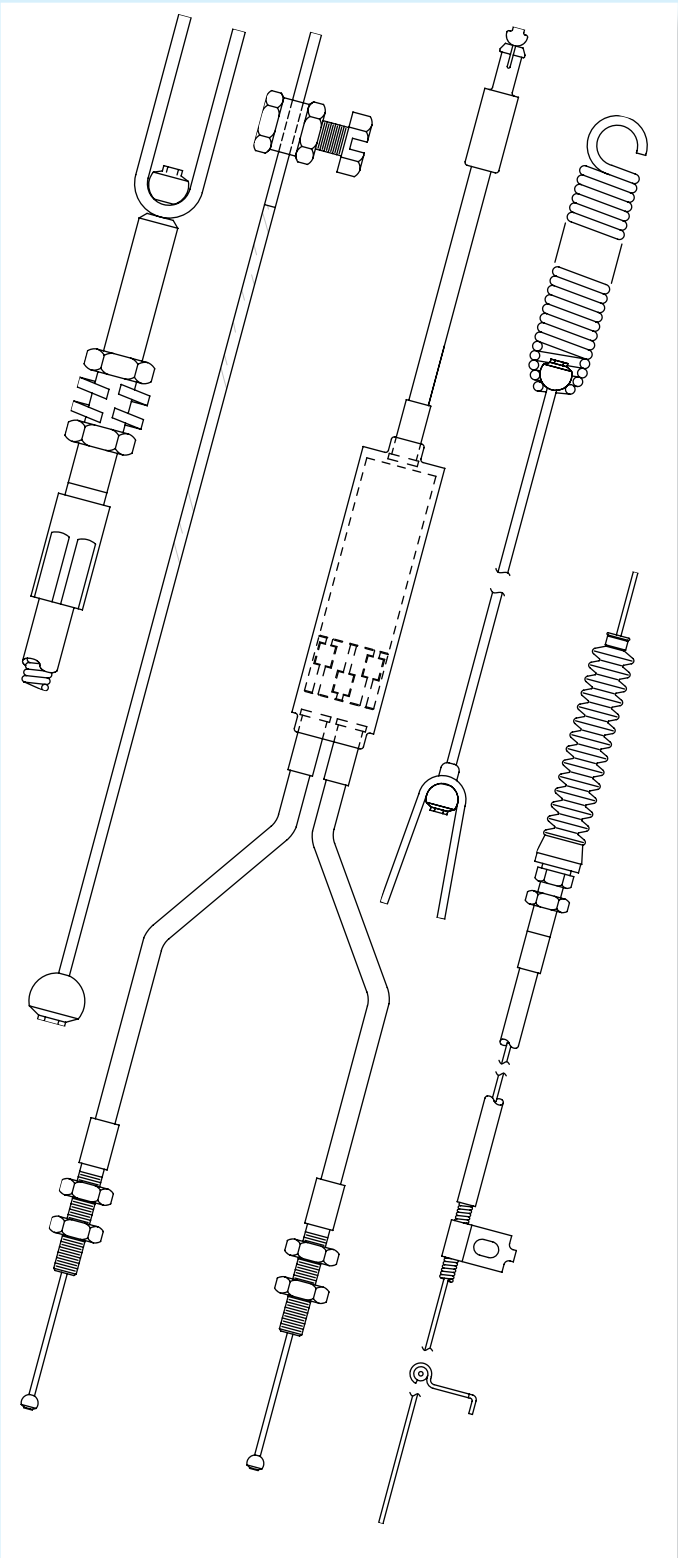




Controls for a world in motion

Accessories



Creative solutions for every application

- Expandable Vinyl Boots
- Extension Springs
- Compression Springs
- Seals
- Wipers
- Hardware
- Conduit Clips
- Snap on Clips
- Cable Adapters
- Swivel Fittings

Every cable or control system has its own unique challenge, requiring the designer to be creative in its application. Wescon's full range of accessories provides the design engineer the opportunity to complete the design to fit the most demanding situation, from controlling the tension through proper use of extension or compression springs, to keeping out dirt and moisture by the proper use of seals and wipers or expandable boots. Whatever the application, Wescon has a solution.

Applications:

Expandable boots keep out dirt & moisture
Adjust cable tension by proper use of extension or compression springs
Provide swivel action by creative use of clevises
Seals & wipers keep out dirt & moisture
Proper use of clips prevent control damage during use
Wire stops & swivel fittings enhance installation
Reduce corrosion & improve life cycle
Eliminate system overload by proper use of extension springs
Wire stops & swivel fittings provide easy field adjustments
Snap on clips enhance control routing

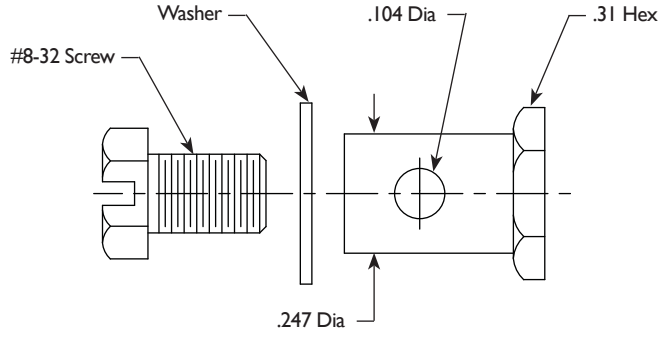
INDEX

Wire Stops & Swivel Fittings	4
Extension Springs	5
Clevises.....	6
Conduit Clips.....	7
Snap-on Clips	8
Junction Box	8
Seals & Wipers.....	9
Boots.....	10
Hardware	11

Wire Stops & Swivel Fittings

13-0403-* Swivel Assy

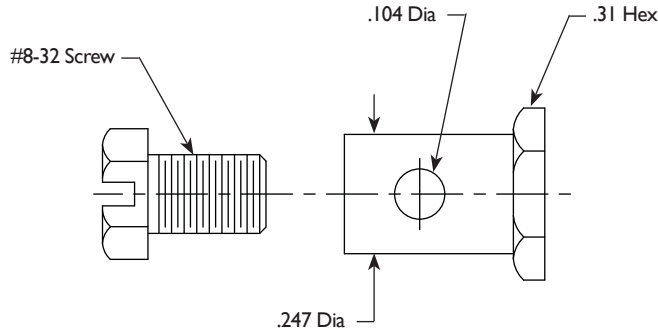
* Insert Dash No.
Material: Steel
Finish: Zinc Plate
Shipped Unassembled



Dash No.	"Grip"
-00	.110
-03	.30
-05	.159
-09	.110

13-0403-* Swivel Assy

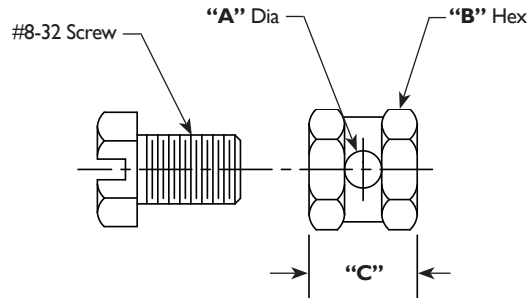
* Insert Dash No.
Material: Steel
Finish: Zinc Plate
Shipped Unassembled



Dash No.	"Grip"
-01	.14
-07	.32

13-0404-* Swivel Assy

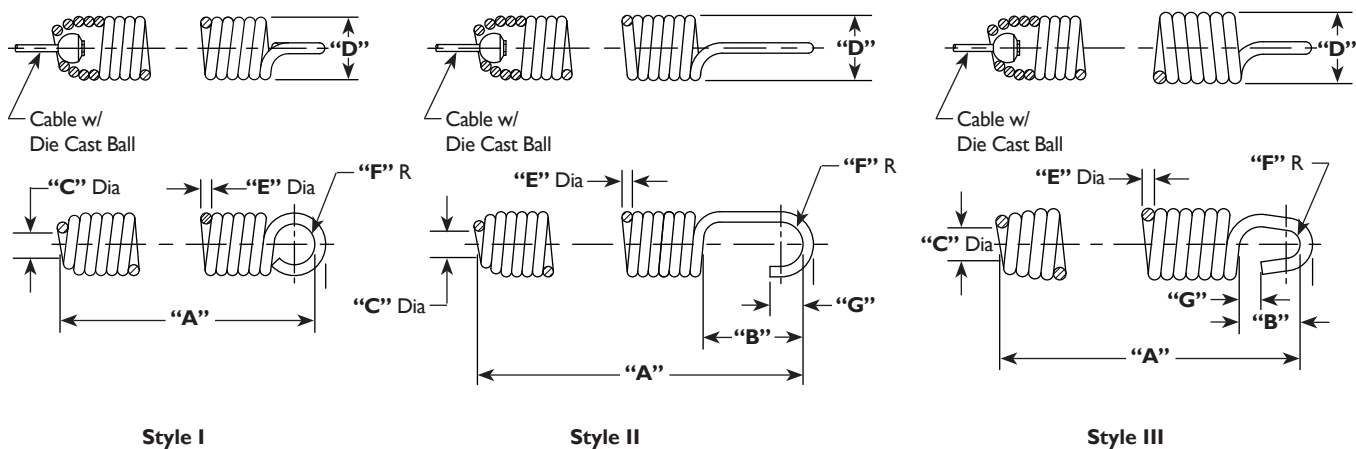
* Insert Dash No.
Material: Steel
Finish: Zinc Plate
Shipped Unassembled



Dash No.	"A"	"B"	"C"	Thread
-01	.110	.31	.32	#8-32
-02	.144	.31	.32	#8-32
-03	.144	.31	.32	1/4-28
-04	.110	.31	.32	#8-32

Extension Springs

Coned End Extension Springs

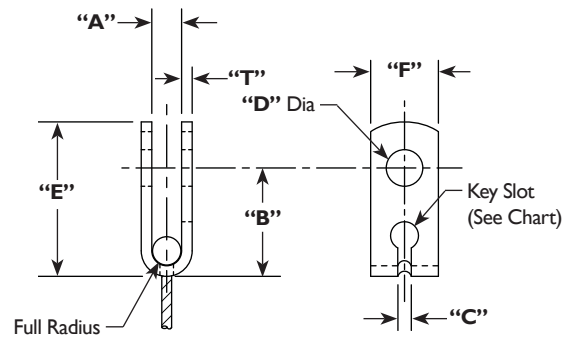


Part No.	Style	Finish	"A"	"B"	"C" (I.D.)	"D" (O.D.)	"E"	"F"	"G"	Initial Lbs Tension	Max. Lbs Load	Max. Ext.	Spring Rate *
26-6306-02	III	Zinc Plate	1.23	.35	.19	.410	.072	.08	.15	10.00	55.40	.38	113.00
26-6306-06	II	Zinc Plate	1.50	.36	.20	.395	.067	.26	.17	8.00	32.00	1.98	54.00
26-6308-01	II	Phosphate & Oil	2.50	.85	.22	.56	.095	.37	.50	15.50	83.00	.79	86.00
26-6308-05	II	Zinc Plate	4.36	1.17	.24	.57	.100	.37	.40	14.00	54.00	1.00	40.00
26-6308-08	II	Phosphate & Oil	5.15	2.07	.27	.600	.085	.43	.50	8.61	35.00	1.50	16.94
26-6308-09	II	Zinc Plate	2.00	1.00	.25	.545	.095	.35	.50	16.00	69.00	.36	145.00
26-6308-12	II	Zinc Plate	2.00	.92	.21	.625	.106	.41	.30	16.25	70.50	.303	179.06
26-6308-23	I	Black Oxide	2.62	.44	.31	.700	.135	.44	.22	37.00	143.60	.55	189.00
26-6308-24	I	Zinc Plate	3.12	.75	.38	1.20	.177	.75	.55	38.90	160.00	1.00	126.60
26-6308-25	II	Zinc Plate	1.76	.36	.19	.470	.085	.30	.21	8.00	58.00	.46	109.00
26-6308-60	II	Zinc Plate	3.95	2.41	.22	.687	.199	.383	.59	10.00	85.00	.45	150.00
26-6308-68	II	Zinc Plate	2.63	.42	.22	.51	.085	.34	.20	14.00	58.4	1.00	42.7
26-6308-83	II	Phosphate & Oil	2.20	.80	.25	.50	.08	.32	.63	9.3	47	.73	50
26-6308-85	II	Phosphate & Oil	5.96	1.57	.26	.85	.135	.50	.60	22.5	105		45
26-6308-91	II	Phosphate & Oil	2.36	.84	.24	.63	.10	.43	.46	15-20	74	.80	65-75
26-6308-127	II	Phosphate & Oil	2.50	.85	.22	.56	.095	.38	.75	15.5	83	.79	86
26-6308-128	II	Phosphate & Oil	2.03	1.73	.25	.56	.063	.634	1.25	2.80			10.55
26-6308-131	II	Phosphate & Oil	5.00	1.26	.28	.75	.120	.32	.31	20	111	2.07	44.0

Lbs. per Inch

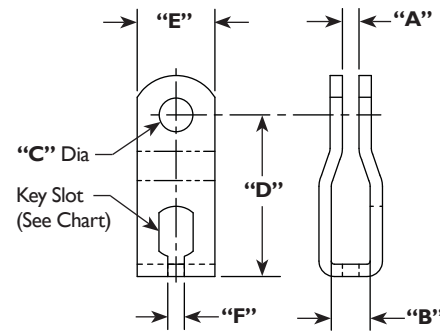
Clevis - Type I

Part No.	"A"	"B"	"C"	"D"	"E"	"F"	"T"	Key Hole Slot	Ball Size
22-2116-00	.22	.80	.100	.270	1.14	.50	.078	No	3/16
22-2116-01	.22	.80	.09	.270	1.14	.50	.078	Yes	3/16
22-2116-12	.41	1.25	.22	.328	1.56	.63	.120	No	5/16
22-2116-15	.32	.75	.16	.281	1.00	.62	.059	No	5/16
22-2116-18	.25	1.16	.100	.195	1.35	.32	.078	No	3/16
22-2120-01	.260	.89	.115	.265	1.20	.50	.075	Yes	3/16
22-2120-03	.510	1.35	.21	.39	1.78	.75	.105	Yes	3/8



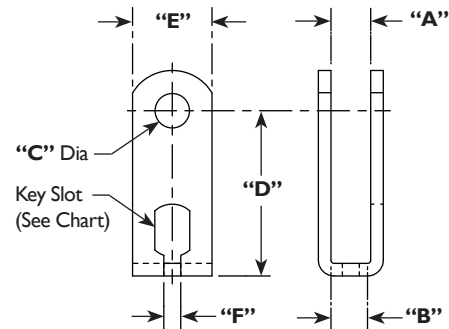
Clevis - Type II

Part No.	"A"	"B"	"C"	"D"	"E"	"F"	Key Hole Slot
22-2121-01	.21/.27	.41/.42	.32/.33	.144	.65	.21	No
22-2121-07	.22/.28	.38/.39	.39/.41	1.88	.75	.21	No
22-2121-08	.16/.22	.38/.39	.39/.41	1.56	.75	.21	No
22-2121-09	.22/.28	.51/.52	.32/.33	1.75	.75	.21	No
22-2121-10	.20/.28	.51/.52	.39/.41	2.38	.75	.21	No
22-2121-11	.26/.28	.51/.52	.32/.33	1.45	.75	.21	No
22-2121-13	.21/.27	.41/.42	.32/.33	1.44	.65	.21	Yes
22-2121-16	.25/.29	.41/.42	.257	1.44	.65	.21	No
22-2121-21	.24/.31	.41/.42	.32/.33	1.44	.65	.21	No



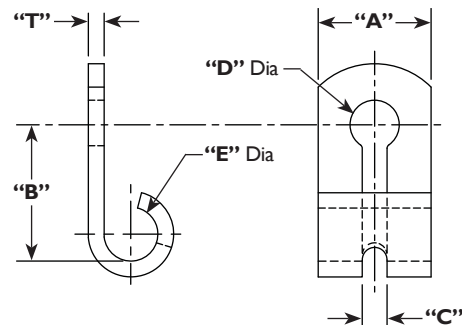
Clevis - Type III

Part No.	"A"	"B"	"C"	"D"	"E"	"F"	Key Hole Slot
22-2122-01	.38/.45	.39/.40	.32/.33	1.62	.62	.21	No
22-2122-02	.38/.45	.39/.40	.32/.33	2.00	.62	.21	No
22-2122-03	.38/.45	.39/.40	.39/.40	2.00	.75	.21	No
22-2122-07	.49/.56	.51/.52	.32/.33	1.62	.62	.21	No
22-2122-08	.49/.56	.51/.52	.39/.40	1.94	.75	.21	No
22-2122-11	.49/.56	.51/.52	.315/.320	1.94	.75	.21	No
22-2122-20	.38/.45	.39/.40	.32/.33	1.62	.62	.21	Yes
22-2122-27	.71/.79	.72/.75	.39/.40	1.94	.75	.21	No
22-2122-28	.71/.79	.72/.75	.39/.40	1.94	.75	.21	Yes



Half Clevis

Part No.	"A"	"B"	"C"	"D"	"E"	"T"
22-2255-00	.562	.62	.090	.265	.218	.075
22-2255-02	.750	.91	.165	.325	.359	.105

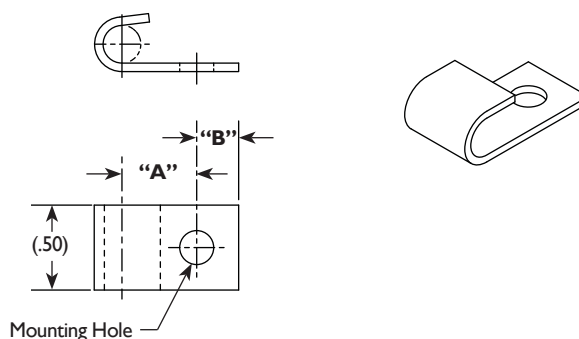


Conduit Clips

22-2152-* Conduit Clip

*Insert Dash No.

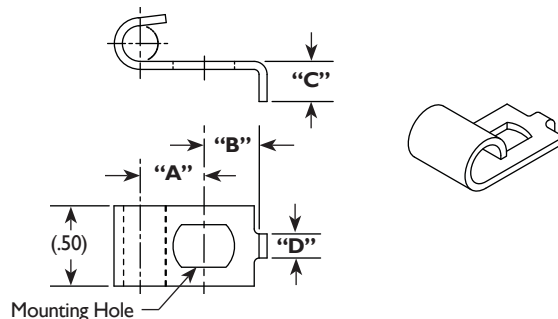
Part No.	Conduit Size	Mounting Hole	"A"	"B"	Finish
-01	3/16 Cov. or 7/32 Bare	.200 Dia Hole	.44	.25	Bright
-05	3/16 Cov. or 7/32 Bare	.263 Dia Hole	.56	.25	Bright
-07	3/16 Cov. or 7/32 Bare	.227 Dia Hole	.50	.25	Bright
-24	3/16 Cov. or 7/32 Bare	No Hole	.56	.25	Bright
-31	3/16 Cov. or 7/32 Bare	.27 x .39 Slot	.37	.32	Yellow
-38	3/16 Cov. or 7/32 Bare	.263 Dia Hole	.56	.25	Black
-39	3/16 Cov. or 7/32 Bare	.27 x .39 Slot	.37	.32	Black
-42	.230 Bare	.263 Dia Hole	.56	.25	Bright



22-2152-* Conduit Clip - Anti-Rotational

*Insert Dash No.

Part No.	Conduit Size	Mounting Hole	"A"	"B"	"C"	"D"	Finish
-15	3/16 Cov. or 7/32 Bare	.21 x .34 Slot	.41	.34	.25	.15	Bright
-18	3/16 Cov. or 7/32 Bare	.21 x .34 Slot	.41	.34	.25	.15	Yellow
-40	7/32 Cov. or 1/4 Bare	.19 x .26 Slot	.43	.357	.19	.205	Yellow
-41	.312 Covered	.26 Dia Hole	.53	.33	.25	.18	Yellow

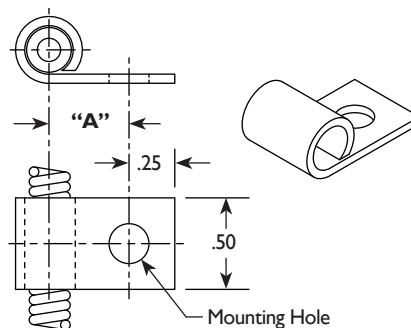


22-2152-* Loose String-On Clip

*Insert Dash No.

Usage: 3/16 Dia Covered, 7/32 Bare Conduit & 6 Wire
Finish: Black

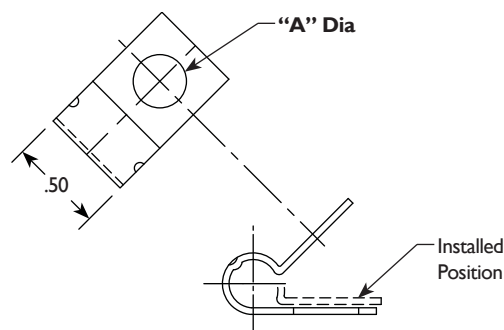
Part No.	Mounting Hole	"A"
-03	.218 Dia Hole	.62
-43	.27 x .27 Slot	.78



22-2115-* Conduit Clip

*Insert Dash No.

Part No.	Conduit Size	"A"	Finish
-00	3/16 Bare	.22	Yellow
-02	7/32 Bare	.28	Clear
-03	1/4 Bare	.28	Clear
-04	3/16 Bare	.28	Clear
-05	7/32 Bare	.22	Clear
-11	7/32 Bare or 3/16 Covered	.28	Clear
-12	3/16 Bare	.28	Clear

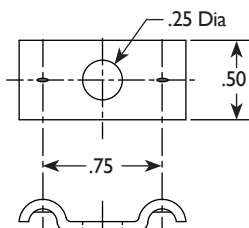


22-0183-00 Dual Conduit Clamp

Material: Steel

Finish: Zinc Plate

Usage: 3/16 or 7/32 Dia Conduit

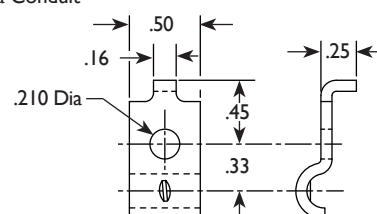


22-2054-00 Single Conduit Clamp

Material: Steel

Finish: Zinc Cobalt

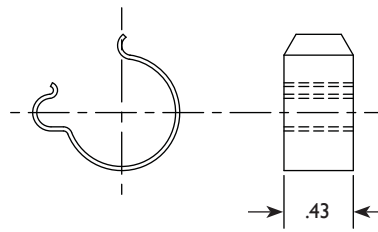
Usage: 3/16 or 7/32 Dia Conduit



Snap Clips

Snap Clip (Single Conduit)

Part No.	Tube Dia.	Cond. O.D.	Material
22-0201-00	.75	3/16 or 7/32	Spring Steel Zinc Plate
22-0202-00	.87		
22-0203-00	1.00		

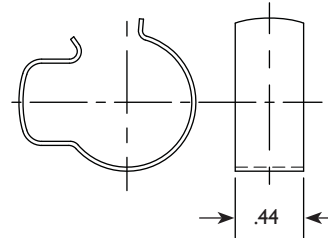


22-0202-03 Snap Clip (Dual Conduit)

Material: Spring Steel
Finish: Zinc Plate
Usage: 7/8 Dia Tube

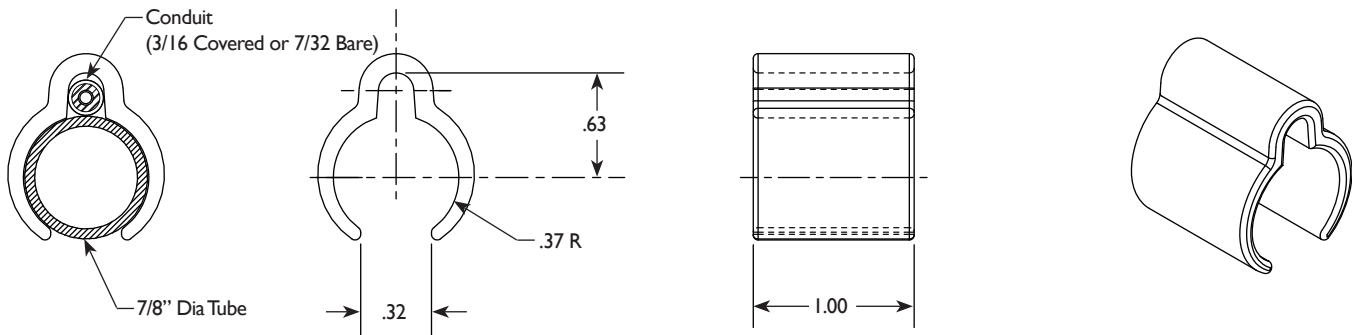
22-0202-06 Snap Clip (Dual Conduit)

Material: Spring Steel
Finish: Zinc Plate
Usage: 7/8 Dia Tube

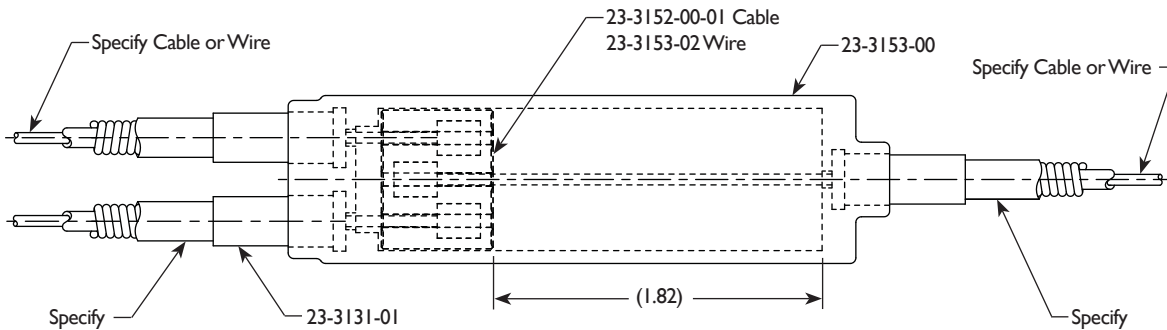


23-3534-01 Snap Clip (Single Conduit)

Material: Composite
For use on 7/8" Dia Tube Handle



Junction Box

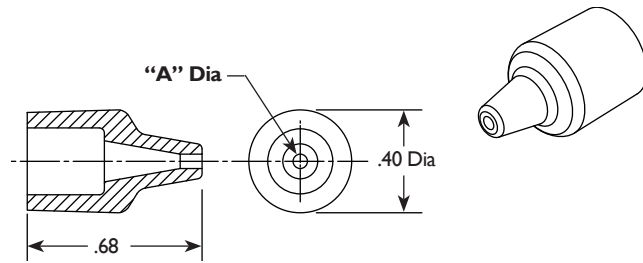


Seals & Wipers

23-3210-* Cable Seal

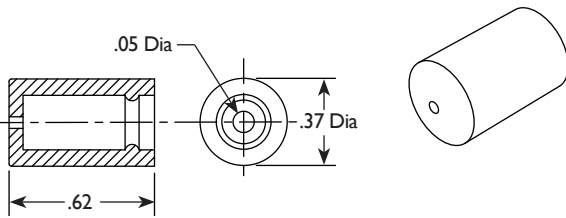
* Insert Dash No.

Dash No.	Cable Size	"A"	Color
-01	3/64 & 1/16	.056	Black
-02	3/32	.084	Black
-03	5/64	.076	Black
-04	3/32 & 1/16	.056	Grey



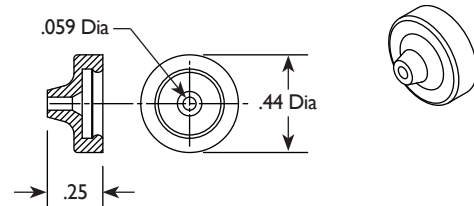
23-3107-01 Grommet

For .062 Dia Solid Wire, 7/32 Dia Covered or 1/4 Dia Bare Conduit



23-3109-01 Grommet

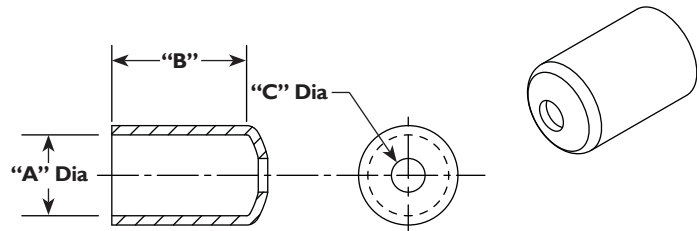
For .062 Dia Cable w/21-1060-18 Fitting



80-3112* Boot

* Insert Dash No.

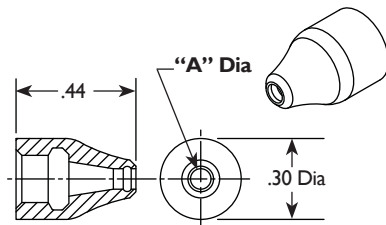
Dash No.	"A"	"B"	"C"	Color
-00	.375	5/8	5/32	Black
-01	.281	1/2	3/32	Red
-02	.343	1/2	3/32	Black
-03	.281	1/2	1/16	Black
-04	.343	1/2	.200	Black
-05	.375	3/8	.155	Red



23-3243-* Seal

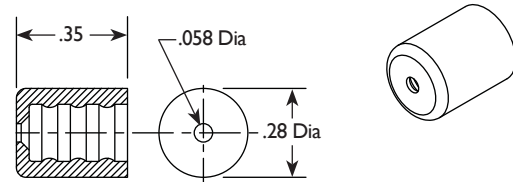
* Insert Dash No.

Dash No.	"A"	Color
-01	.076	Grey
-02	.056	Black
-03	.092	Black



23-3041-00

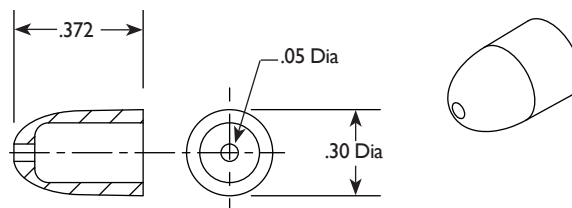
For 3/16 Bare Conduit
Used in Temperatures Up to 300° F Applications



23-3040-* Grommet

* Insert Dash No.

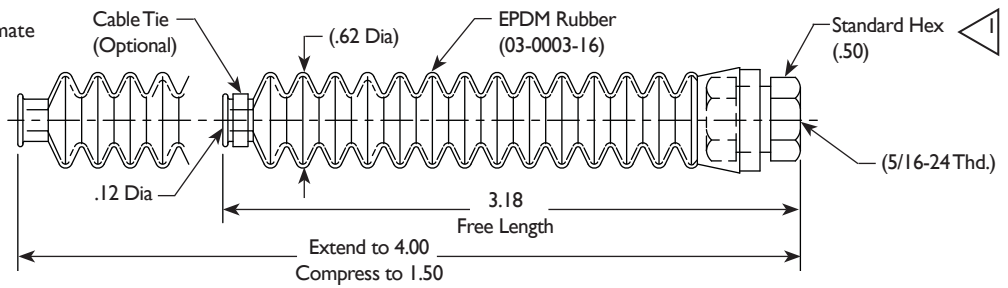
Dash No.	Conduit	Color
-00-01	3/16 Cov. or 7/32 Bare	Black
-01-04	.187 Bare	Grey



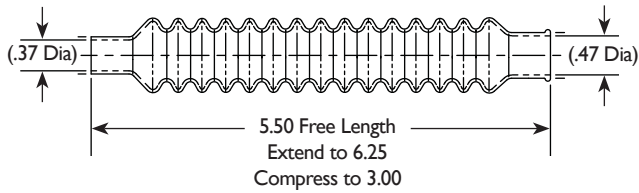
Boots

13-025-01

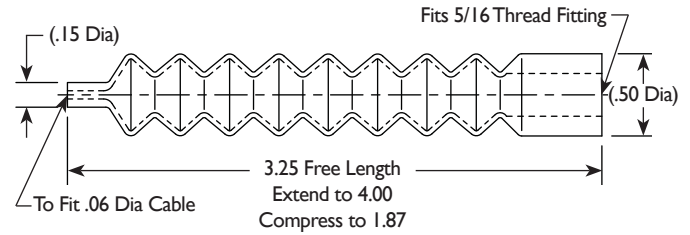
Finish: Zinc Plate, w/yellow chromate



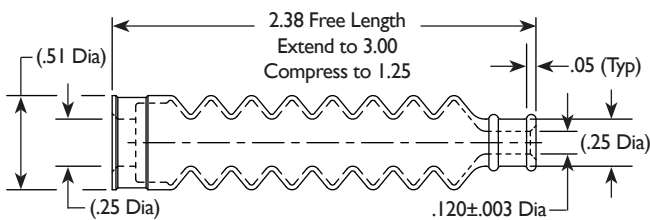
03-0003-20



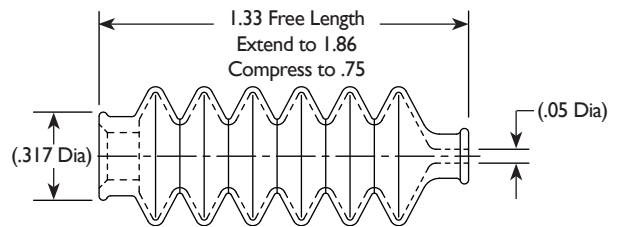
03-0003-23



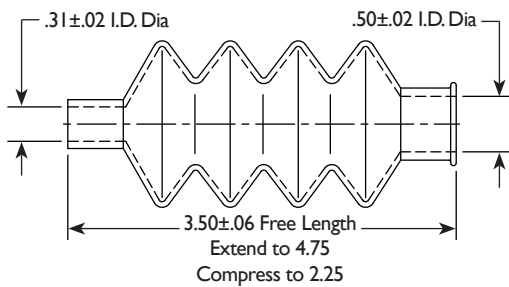
03-0003-02



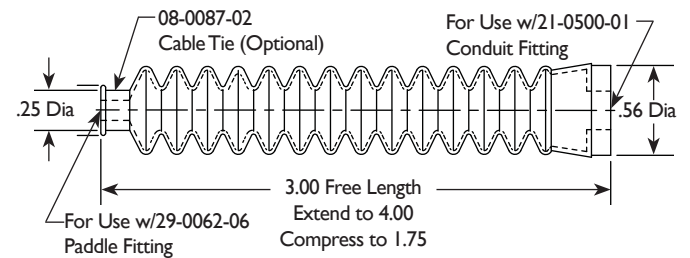
03-0004-00



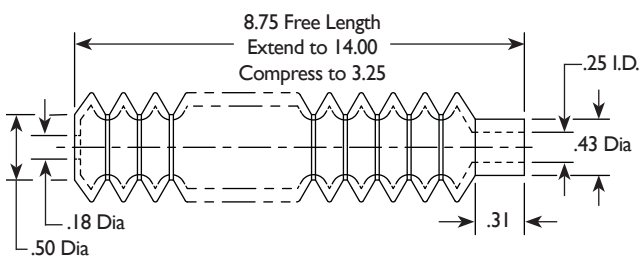
03-0003-18



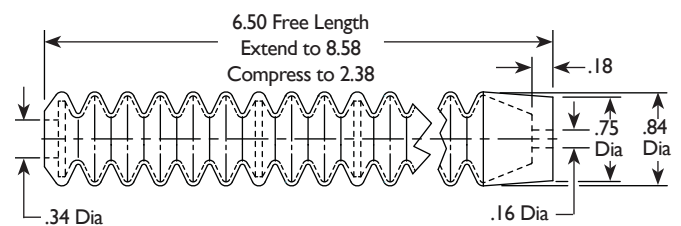
03-0003-25



03-0003-11



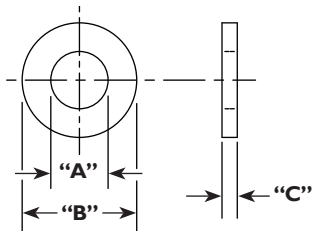
03-0003-01



Hardware

80-0508-* Flat Washers

*Insert Dash No.

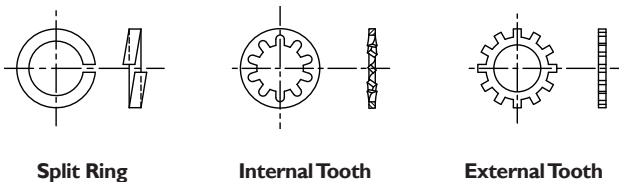


Dash No.	"A"	"B"	"C"
-04	.515	.878	.060
-06	.203	.440	.063
-08	.265	.500	.063
-11	.355	.670	.065
-22	.250	.562	.055
-30	.328	.750	.060
-31	.387	.654	.050

Dash No.	"A"	"B"	"C"
-38	.451	.750	.040
-39	.636	1.062	.060
-47	.390	.750	.031
-51	.328	.750	.031
-59	.320	.700	.030
-70	.505	.875	.031
-77	.385	.750	.015

80-0007-* Lock Washers

*Insert Dash No.

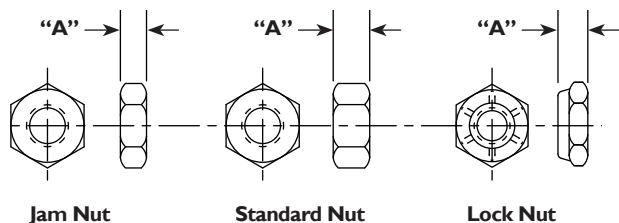


Dash No.	Type	Fastener Size
-01	Internal Tooth	9/16
-03	Internal Tooth	3/8
-04	Split Ring	7/16
-06	Split Ring	#10
-07	Internal Tooth	1/4
-08	Internal Tooth	5/16

Dash No.	Type	Fastener Size
-11	Split Ring	3/8
-15	Split Ring	1/4
-17	Split Ring	5/16
-28	External Tooth	1/4
-29	Internal Tooth	#10
-38	External Tooth	5/16

80-0006-* Hex Nuts

*Insert Dash No.

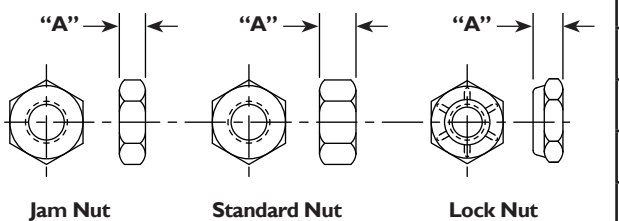


Dash No.	Type	Thread	"A"
-04	Jam	9/16-18 UNF	.31
-05	Jam	3/8-24 UNF	.21
-06	Jam	7/16-20 UNF	.25
-12	Jam	7/16-14 UNC	.25
-13	Standard	3/8-16 UNC	.33
-14	Jam	10-32 UNF	.12
-19	Lock	5/16-24 UNF	.25
-21	Jam	5/16-18 UNC	.18
-22	Jam	5/16-24 UNF	.18
-24	Jam	10-24 UNC	.12

Dash No.	Type	Thread	"A"
-26	Jam	1/4-20 UNC	.156
-27	Jam	1/4-28 UNF	.156
-39	Jam	3/8-16 UNC	.21
-72	Jam	9/16-12 UNC	.31
-78	Standard	1/4-28 UNF	.22
-94	Standard	5/16-18 UNC	.265
-99	Lock	1/4-20 UNC	.31
-108	Standard	5/16-24 UNC	.25
-127	Lock	10-32 UNF	.12

80-0006-* Metric Hex Nuts

*Insert Dash No.




Dash No.	Type	Thread	"A"
-38	Standard	M6x1-6H	4.8 .19
-49	Jam	M6x.75-6H	3.0 .12
-67	Standard	M6x1-6H	4.8 .19
-75	Jam	M8x1.25-6H	4.0 .16
-92	Standard	M12x1.25-6H	10.0 .39

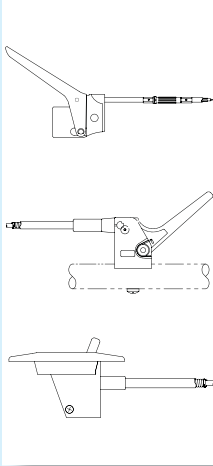
Dash No.	Type	Thread	"A"
-105	Lock	M6x1-6H	6.0 .24
-115	Std	M6x1-6H	4.8 .19
-128	Jam	M6x1-6H	3.0 .12
-130	Jam	M12x1.75-6H	6.0 .24

Dual Dimension	
Millimeter	Inch



TAKE A LOOK AT OTHER WESCON PRODUCTS



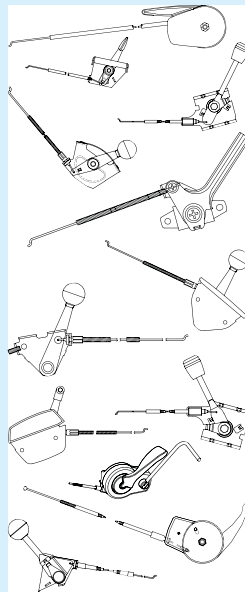
Controls for a world in motion





Light Duty Lever Controls

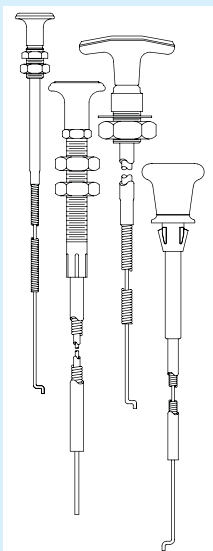
Controls for a world in motion





Outdoor Power Equipment Controls

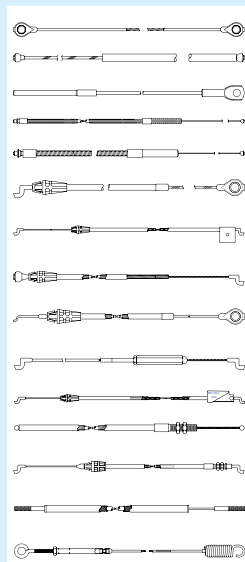
Controls for a world in motion




Light Duty Push-Pull and Turn-to-Lock Controls

Controls for a world in motion



Light Duty Tension Cable Controls




Controls for a world in motion

WESCON CONTROLS

P.O. Box 7710 Wichita, Kansas 67277

316-942-7266 or call toll free 1-800-835-0160

Fax 316-942-5114

www.wesconproducts.com

ISO 9001 CERTIFIED