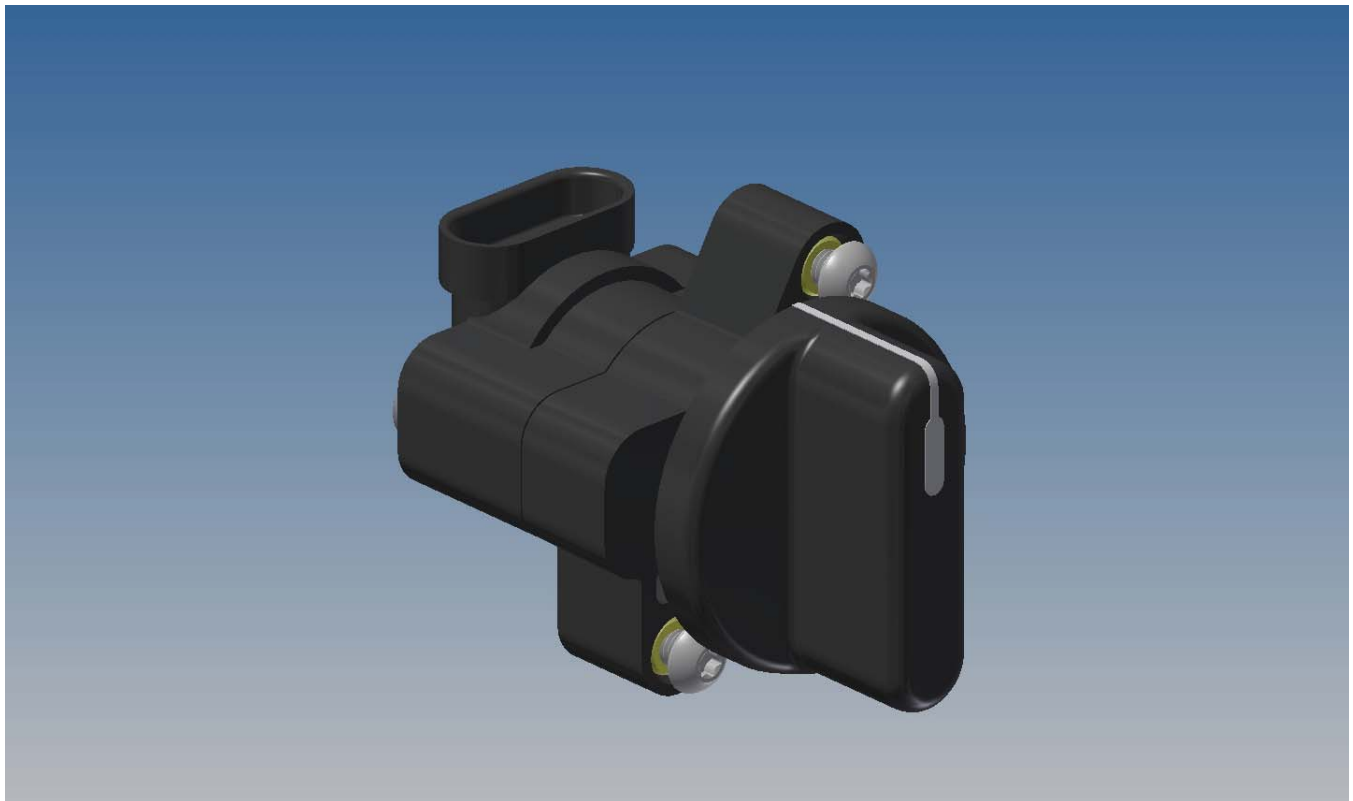




Controls for a world in motion

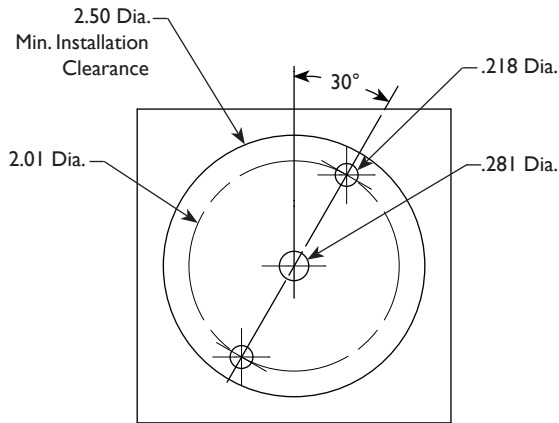
# ELECTRONIC THROTTLE CONTROLS PANEL MOUNT - DIAL ACTUATED



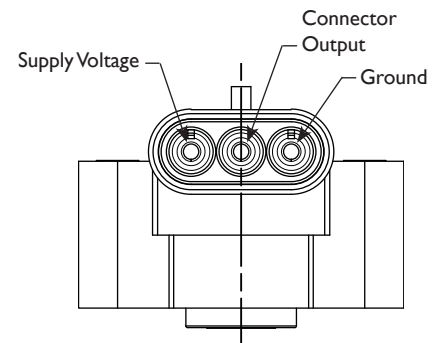
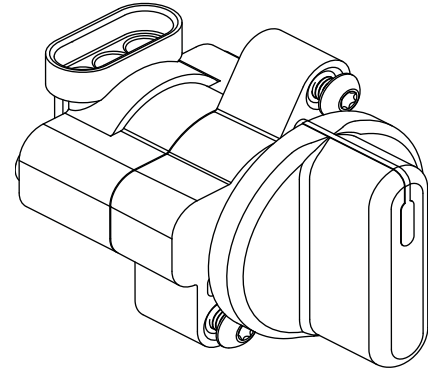
**WESCON CONTROLS**

## 12-1376 Series Panel Mount Electronic Throttle Control

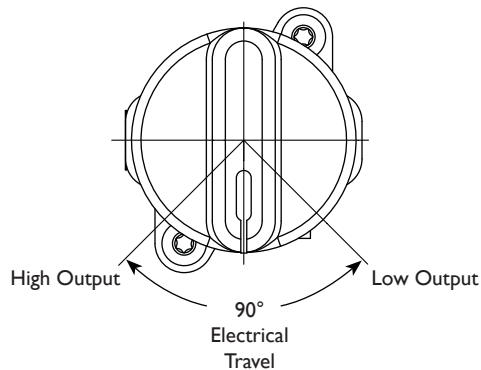
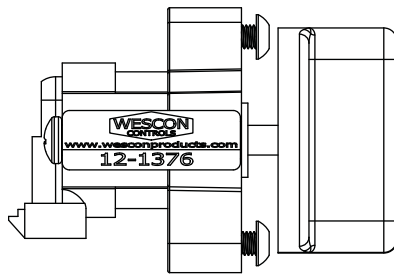
- 0-5Vdc Single Analog Variable Output  
Works With: Kawasaki, Yanmar, Briggs & Stratton, Kubota Engines
- 0-10Vdc Single Analog Variable Output  
Works With: Kohler Engines
- Hall Effect Electronic Sensor Standard
- Packard Electric Weather Pack 3 Pin Connector Standard



**Panel Mount Detail**



**Packard Electric Weather Pack Mates to Delphi P/N 12015793**



ENGINE	VOLTAGE OUTPUT		PART NUMBER
	LOW	HIGH	
Kawasaki 0-5V	0.5	4.5	12-1376-01
Kohler 0-10V	1.0	9.0	12-1376-02



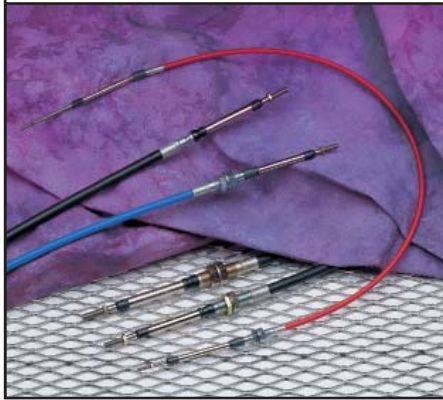
# TAKE A LOOK AT OTHER WESCON PRODUCTS



LIGHT DUTY MECHANICAL  
CONTROL SYSTEMS



PUSH-PULL CABLES  
CONTROL SYSTEMS



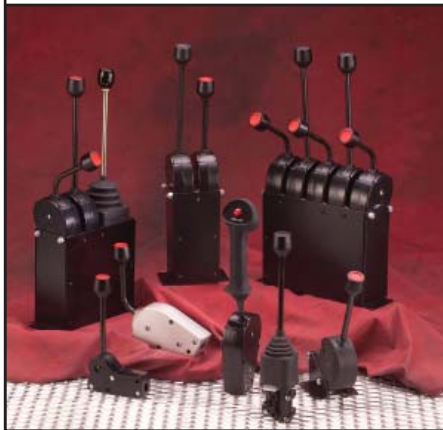
PANEL  
CONTROL SYSTEMS



BRAKE CABLE  
AND LEVER SYSTEMS



REMOTE VALVE  
CONTROL SYSTEMS



ROTARY PUSH-PULL  
LEVER CONTROL SYSTEMS



Controls for a world in motion

## WESCON CONTROLS

P.O. Box 7710 Wichita, Kansas 67277  
316-942-7266 or call toll free 1-800-835-0160  
Fax 316-942-5114  
[www.wesconproducts.com](http://www.wesconproducts.com)  
ISO 9001 CERTIFIED