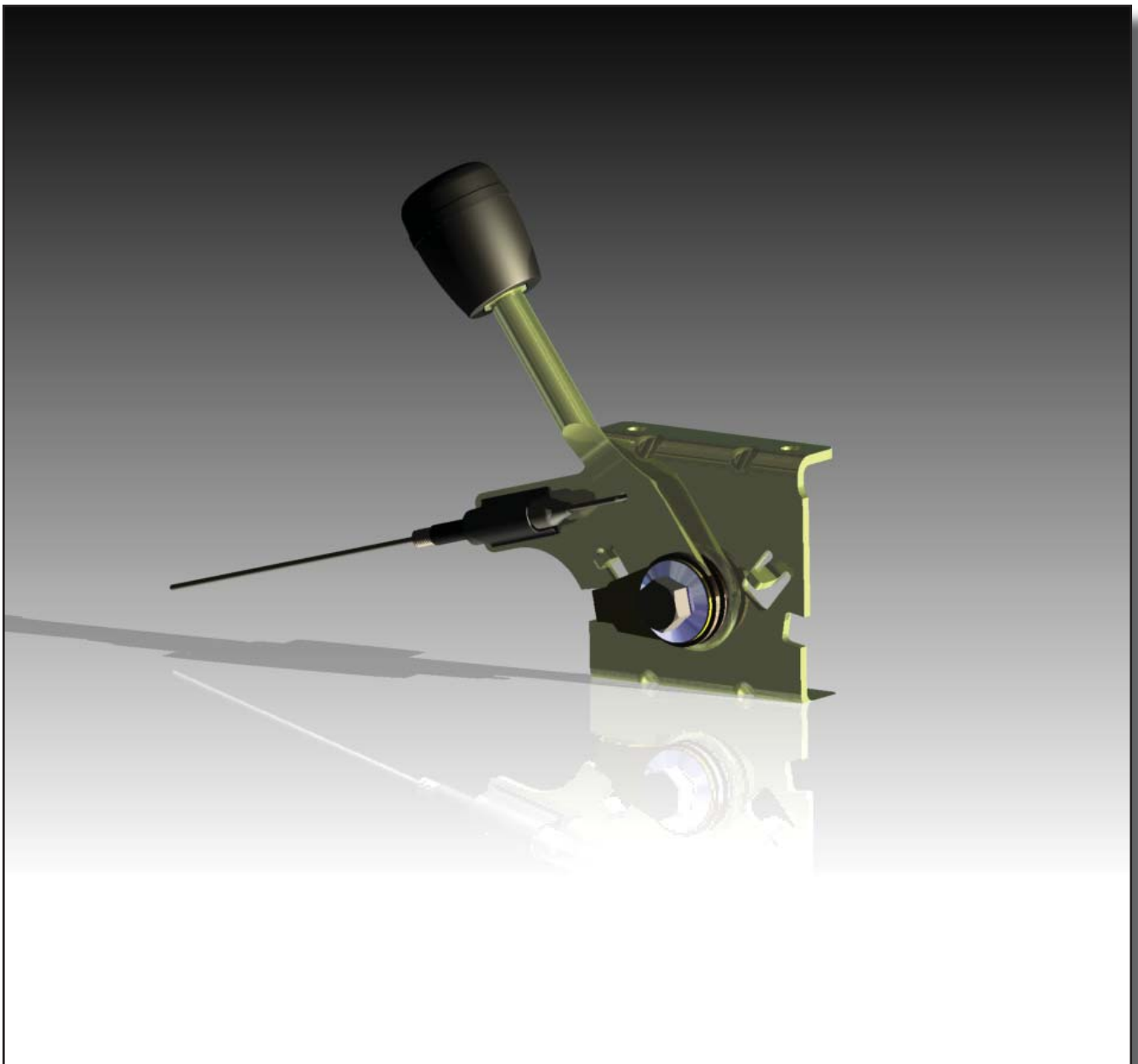




Controls for a world in motion

# COMMERCIAL CONTROLS



**WESCON CONTROLS**

# Commercial Control Positive Action Friction

## 12-4001/12-4002 Panel Mount Control

L.H.Version Shown: 12-4001 Series

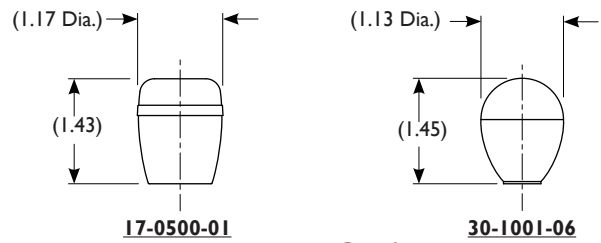
R.H.Version (Hidden): 12-4002 Series

Materials: Lever 3/8 dia.

Bracket 12 Ga. (.10)

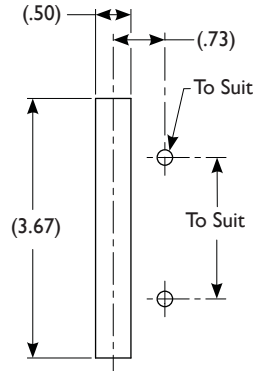
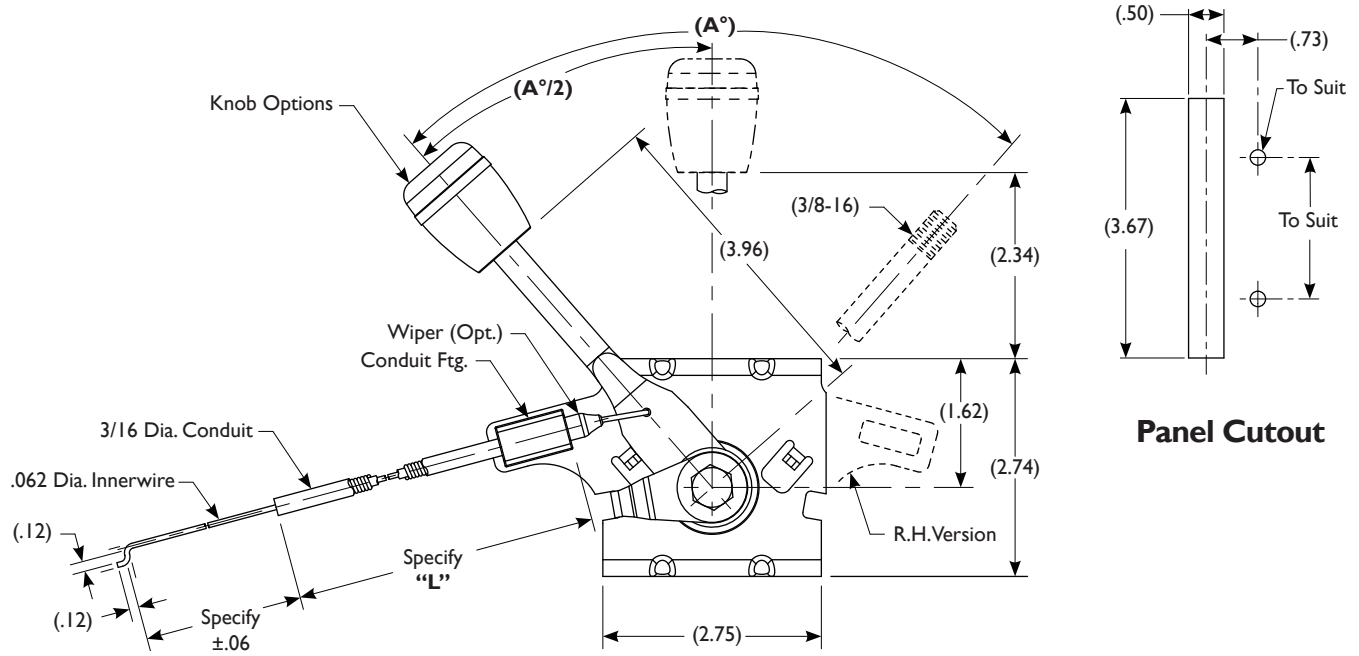
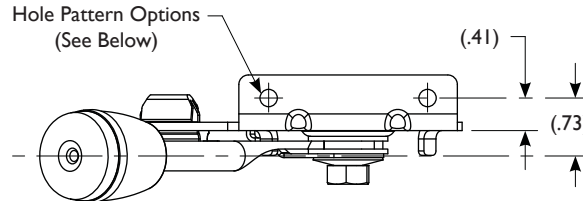
Finish: Plated for Corrosion Protection

Force @ Base of Knob: 10 lbs. (Force options available)



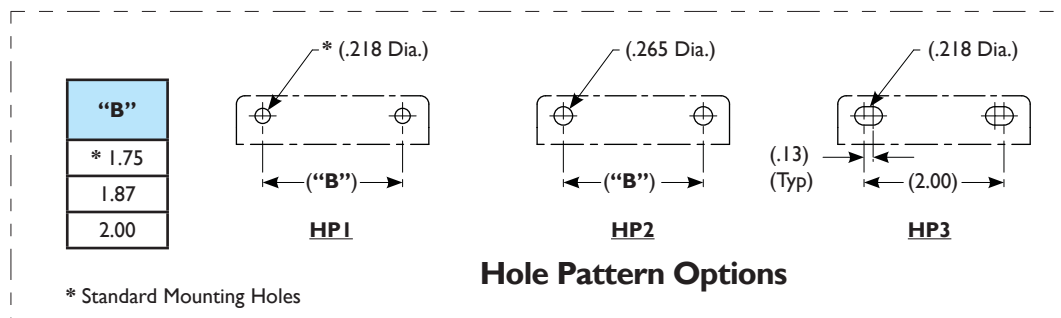
**Knob Options**

Control Length "L" (Inches)	"X"
00.00 to 23.99	± .12
24.00 to 59.99	± .18
60.00 to 119.99	± .25
120.00 to 240.00	± .50



**Panel Cutout**

Innerwire Travel	Angle A°	Head Assy	Lever	L.H. Bkt.	R.H. Bkt.
1.75	82°	24-4001-01 (L.H.) / 24-4002-01 (R.H.)	27-4000-02 (Long)	28-4000-01	28-4000-02
1.62	82°	24-4001-02 (L.H.) / 24-4002-02 (R.H.)	27-4000-01 (Short)	28-4000-01	28-4000-02
1.32	61°	24-4001-03 (L.H.) / 24-4002-03 (R.H.)	27-4000-02 (Long)	28-4000-08	28-4000-09
1.25	61°	24-4001-04 (L.H.) / 24-4002-04 (R.H.)	27-4000-01 (Short)	28-4000-08	28-4000-09
.97	44°	24-4001-05 (L.H.) / 24-4002-05 (R.H.)	27-4000-02 (Long)	28-4000-13	28-4000-14
.91	44°	24-4001-06 (L.H.) / 24-4002-06 (R.H.)	27-4000-01 (Short)	28-4000-13	28-4000-14



**Hole Pattern Options**

\* Standard Mounting Holes

# Commercial Control Negative Action Friction

## 12-4003/12-4004 Panel Mount Control

L.H.Version Shown: 12-4003 Series

R.H.Version (Hidden): 12-4004 Series

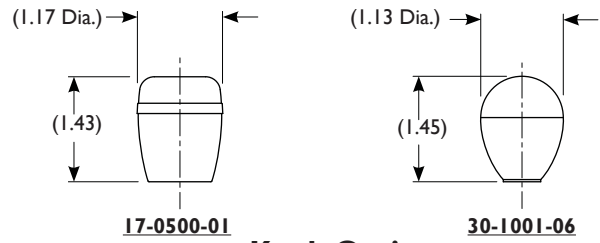
Materials: Lever 3/8 dia.

Bracket 12 Ga. (.10)

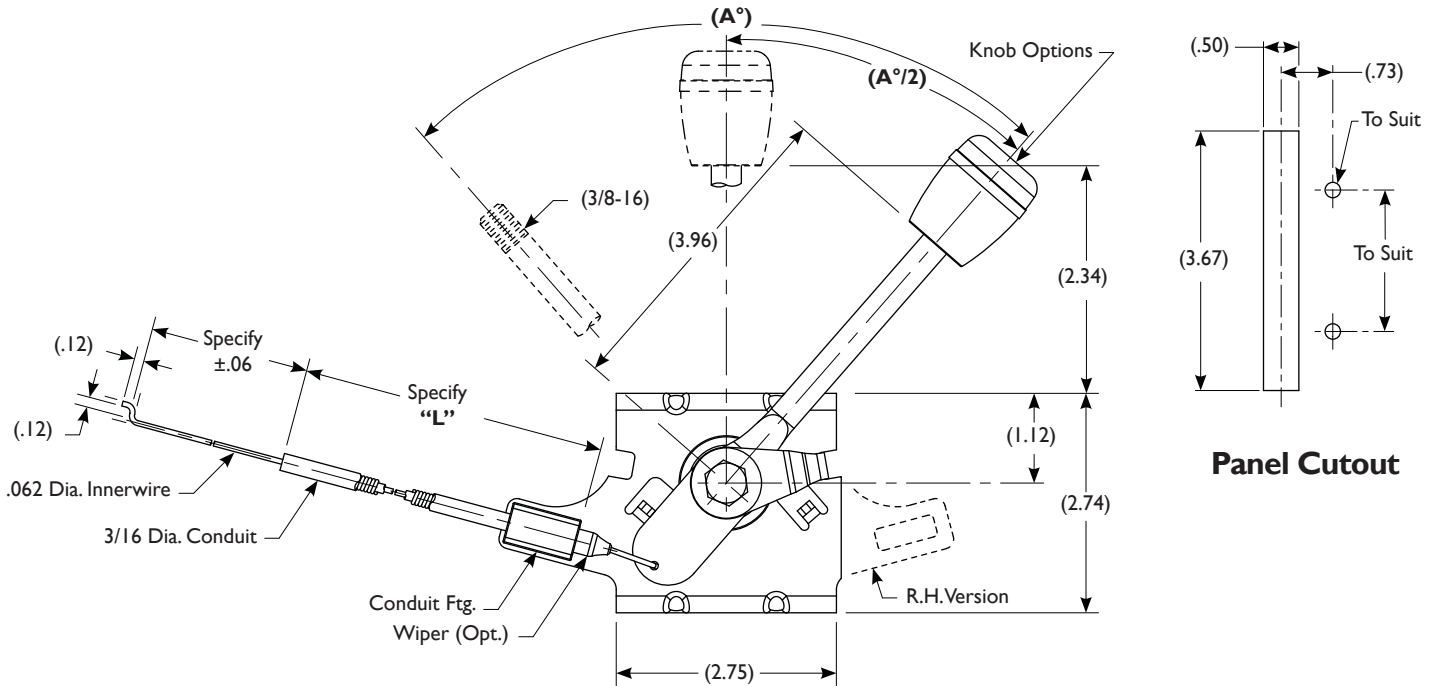
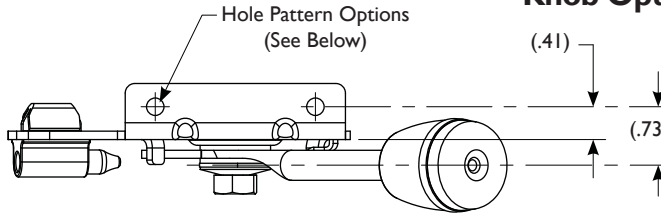
Finish: Plated for Corrosion Protection

Force @ Base of Knob: 10 lbs. (Force options available)

Control Length "L" (Inches)	"X"
00.00 to 23.99	± .12
24.00 to 59.99	± .18
60.00 to 119.99	± .25
120.00 to 240.00	± .50

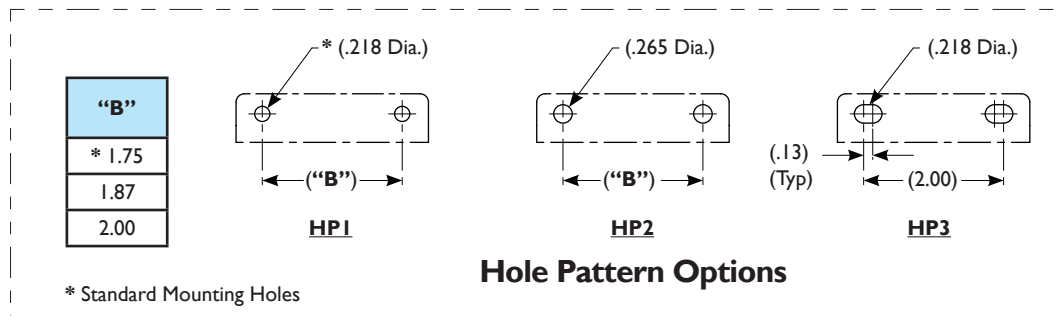


### Knob Options



### Panel Cutout

Innerwire Travel	Angle A°	Head Assy	Lever	R.H. Bkt.	L.H. Bkt.
1.75	82°	24-4003-01 (L.H.) / 24-4004-01 (R.H.)	27-4000-06 (Long)	28-4000-01	28-4000-02
1.62	82°	24-4003-02 (L.H.) / 24-4004-02 (R.H.)	27-4000-05 (Short)	28-4000-01	28-4000-02
1.32	61°	24-4003-03 (L.H.) / 24-4004-03 (R.H.)	27-4000-06 (Long)	28-4000-08	28-4000-09
1.25	61°	24-4003-04 (L.H.) / 24-4004-04 (R.H.)	27-4000-05 (Short)	28-4000-08	28-4000-09
.97	44°	24-4003-05 (L.H.) / 24-4004-05 (R.H.)	27-4000-06 (Long)	28-4000-13	28-4000-14
.91	44°	24-4003-06 (L.H.) / 24-4004-06 (R.H.)	27-4000-05 (Short)	28-4000-13	28-4000-14



\* Standard Mounting Holes

# Commercial Control Positive Action Detent

## 12-4005/12-4006 Panel Mount Control

L.H.Version Shown: 12-4005 Series

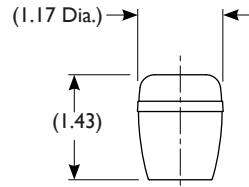
R.H.Version (Hidden): 12-4006 Series

Materials: Lever 3/8 dia.

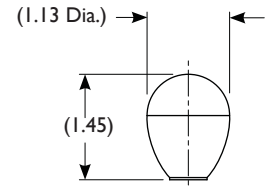
Bracket 12 Ga. (.10)

Finish: Plated for Corrosion Protection

Force @ Base of Knob: 10 lbs. (Force options available)



17-0500-01

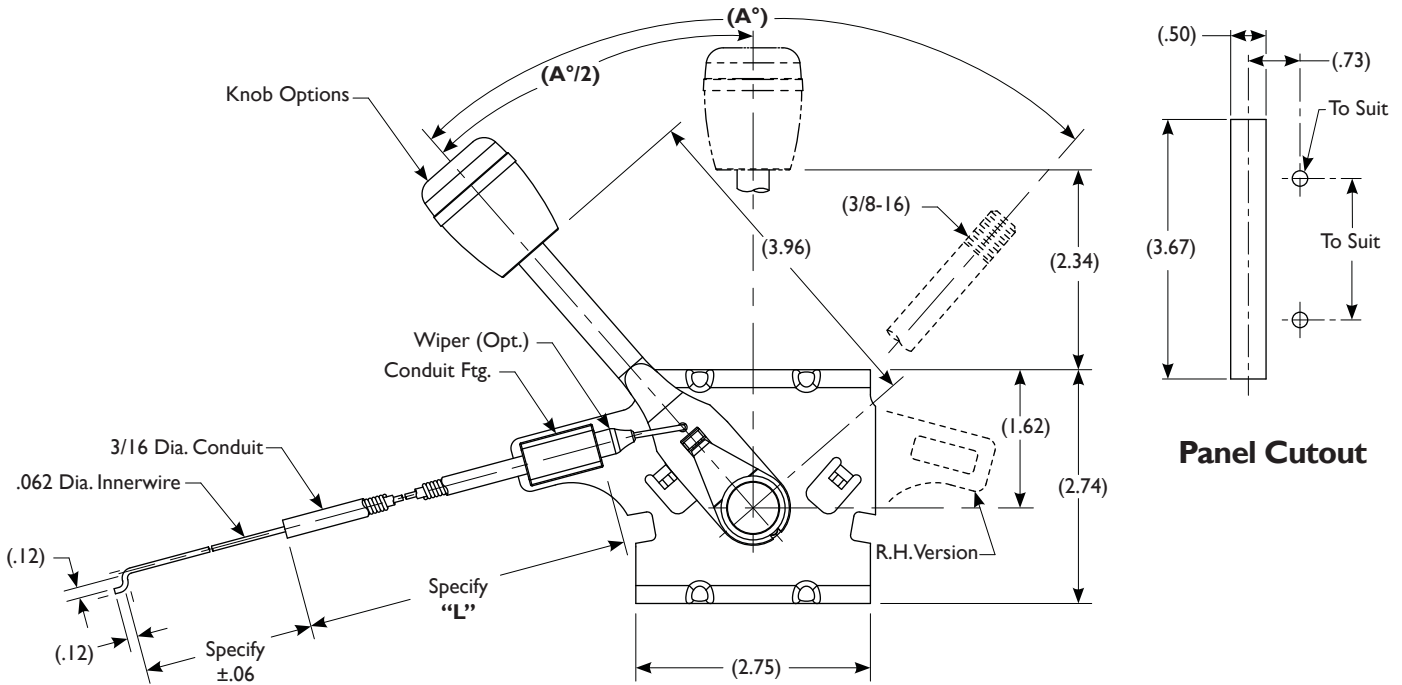
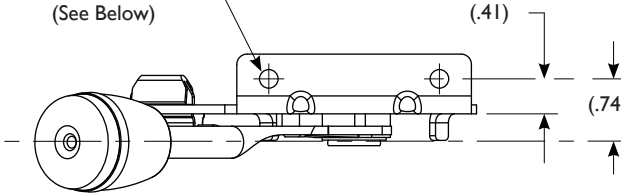


30-1001-06

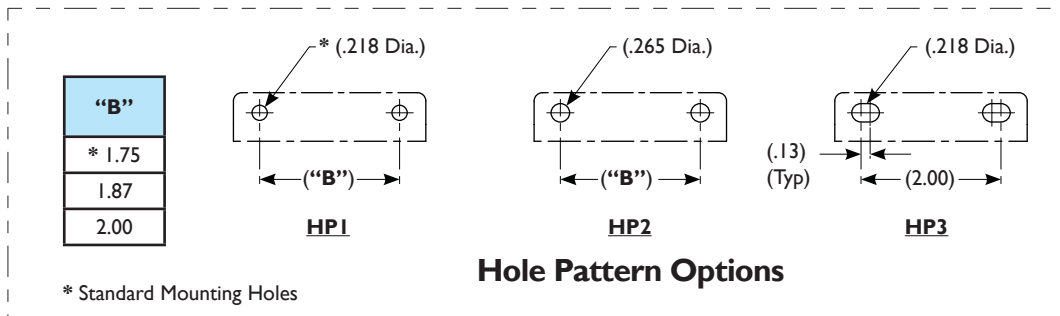
### Knob Options

Control Length "L" (Inches)	"X"
00.00 to 23.99	± .12
24.00 to 59.99	± .18
60.00 to 119.99	± .25
120.00 to 240.00	± .50

Hole Pattern Options  
(See Below)



Innerwire Travel	Angle A°	Head Assy	Lever	L.H. Bkt.	R.H. Bkt.	Detent at Fully Extended
1.75	82°	24-4005-01 (L.H.) / 24-4006-01 (R.H.)	27-4000-04 (Long)	28-4000-03	28-4000-04	41°
1.62	82°	24-4005-02 (L.H.) / 24-4006-02 (R.H.)	27-4000-03 (Short)	28-4000-03	28-4000-04	41°
1.32	61°	24-4005-03 (L.H.) / 24-4006-03 (R.H.)	27-4000-04 (Long)	28-4000-10	28-4000-11	30.5°
1.25	61°	24-4005-04 (L.H.) / 24-4006-04 (R.H.)	27-4000-03 (Short)	28-4000-10	28-4000-11	30.5°
.97	44°	24-4005-05 (L.H.) / 24-4006-05 (R.H.)	27-4000-04 (Long)	28-4000-15	28-4000-16	22°
.91	44°	24-4005-06 (L.H.) / 24-4006-06 (R.H.)	27-4000-03 (Short)	28-4000-15	28-4000-16	22°



# Commercial Control Negative Action Detent

## I2-4007/I2-4008 Panel Mount Control

L.H.Version Shown: I2-4007 Series

R.H.Version (Hidden): I2-4008 Series

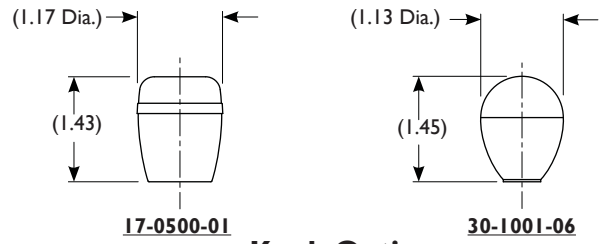
Materials: Lever 3/8 dia.

Bracket 12 Ga. (.10)

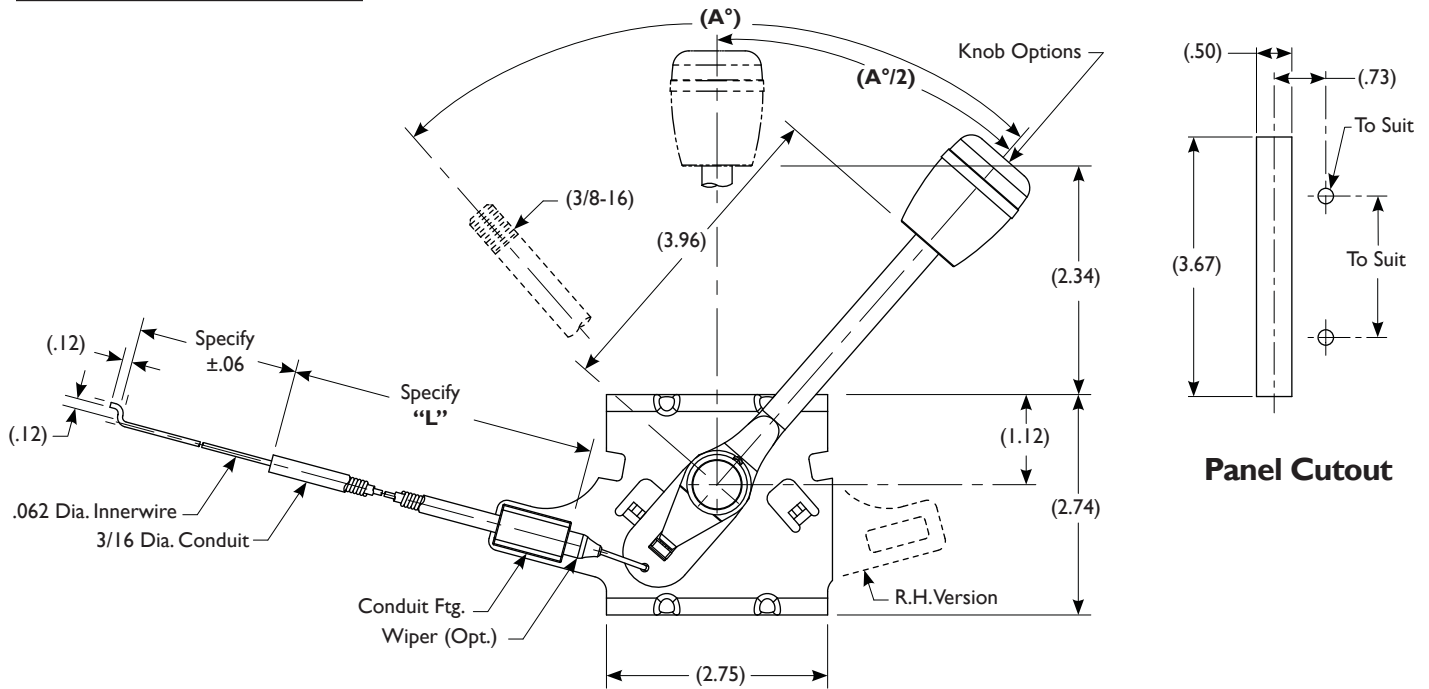
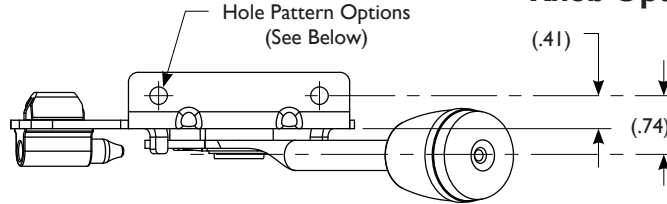
Finish: Plated for Corrosion Protection

Force @ Base of Knob: 10 lbs. (Force options available)

Control Length "L" (Inches)	"X"
00.00 to 23.99	± .12
24.00 to 59.99	± .18
60.00 to 119.99	± .25
120.00 to 240.00	± .50

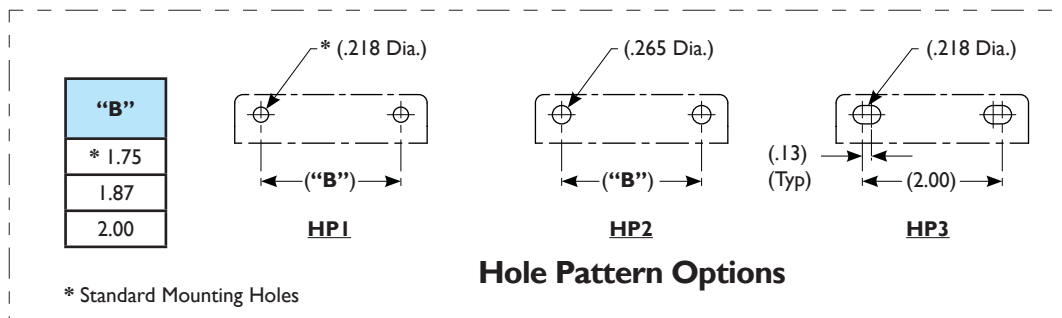


### Knob Options



### Panel Cutout

Innerwire Travel	Angle A°	Head Assy	Lever	R.H. Bkt.	L.H. Bkt.	Detent at Fully Extended
1.75	82°	24-4007-01 (L.H.) / 24-4008-01 (R.H.)	27-4000-08 (Long)	28-4000-03	28-4000-04	41°
1.62	82°	24-4007-02 (L.H.) / 24-4008-02 (R.H.)	27-4000-07 (Short)	28-4000-03	28-4000-04	41°
1.32	61°	24-4007-03 (L.H.) / 24-4008-03 (R.H.)	27-4000-08 (Long)	28-4000-10	28-4000-11	30.5°
1.25	61°	24-4007-04 (L.H.) / 24-4008-04 (R.H.)	27-4000-07 (Short)	28-4000-10	28-4000-11	30.5°
.97	44°	24-4007-05 (L.H.) / 24-4008-05 (R.H.)	27-4000-08 (Long)	28-4000-15	28-4000-16	22°
.91	44°	24-4007-06 (L.H.) / 24-4008-06 (R.H.)	27-4000-07 (Short)	28-4000-15	28-4000-16	22°



### Hole Pattern Options

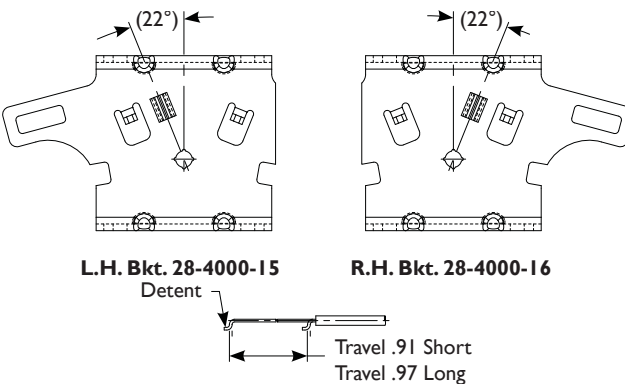
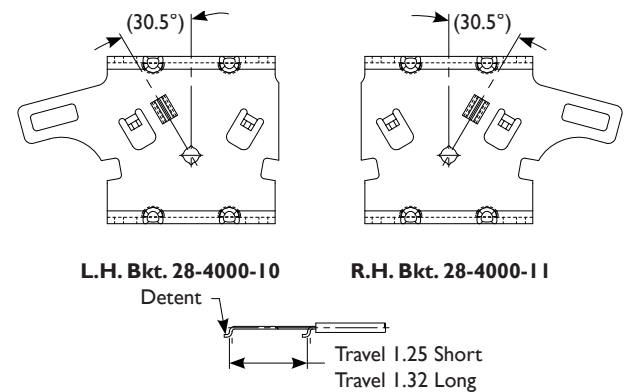
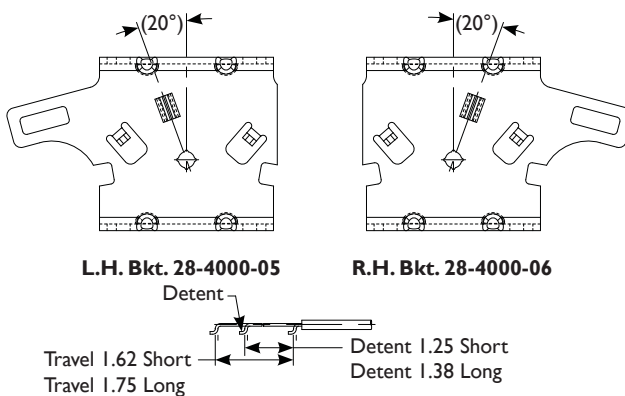
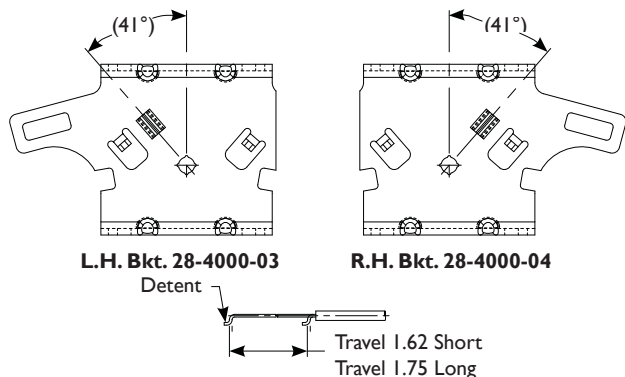
\* Standard Mounting Holes

# Commercial Control Detent Options

## 12-4005/12-4006 Panel Mount Control

L.H.Version: 12-4005 Series  
R.H.Version: 12-4006 Series

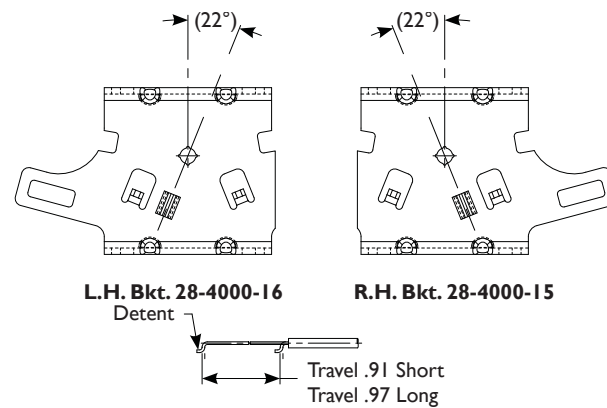
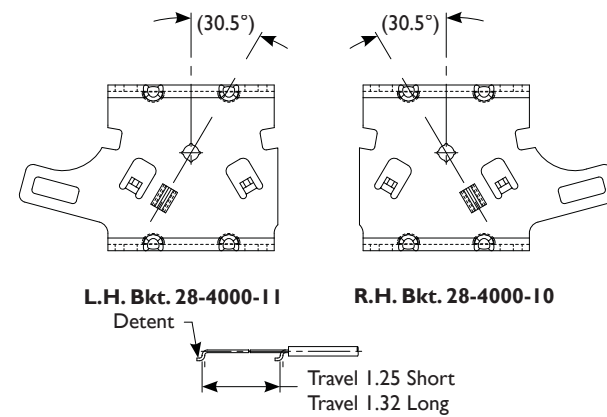
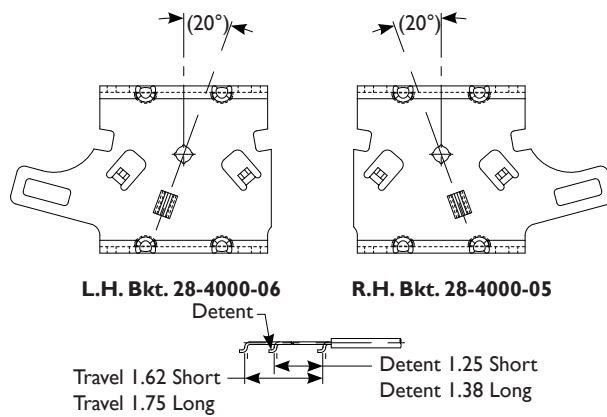
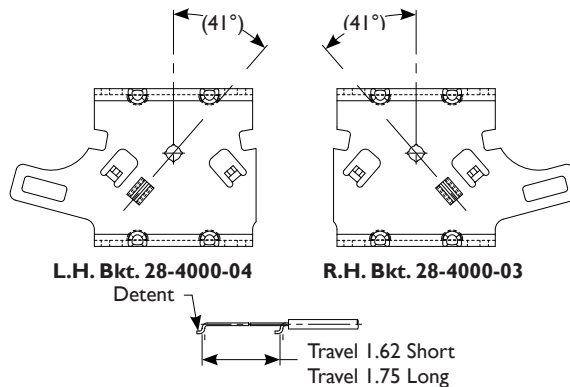
Positive Action



## 12-4007/12-4008 Panel Mount Control

L.H.Version: 12-4007 Series  
R.H.Version: 12-4008 Series

Negative Action



# NOTES

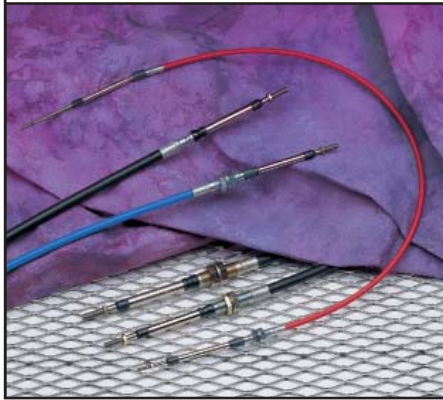
# TAKE A LOOK AT OTHER WESCON PRODUCTS



LIGHT DUTY MECHANICAL  
CONTROL SYSTEMS



PUSH-PULL CABLES  
CONTROL SYSTEMS



PANEL  
CONTROL SYSTEMS



BRAKE CABLE  
AND LEVER SYSTEMS



REMOTE VALVE  
CONTROL SYSTEMS



ROTARY PUSH-PULL  
LEVER CONTROL SYSTEMS



Controls for a world in motion

## WESCON CONTROLS

P.O. Box 7710 Wichita, Kansas 67277  
316-942-7266 or call toll free 1-800-835-0160  
Fax 316-942-5114  
[www.wesconproducts.com](http://www.wesconproducts.com)  
ISO 9001 CERTIFIED